

 LLOYTRON[®]

OPERATING INSTRUCTIONS

Coffee/Spice Grinder



MODEL: E5606WI

thank you

Thank you for the purchase of this quality **LLOYTRON** product. Used carefully and in accordance with the instructions enclosed, it should give you trouble free service over a long period of time. Please keep these instructions for future reference.

FEATURES

- Power: 150w Max
- 35g Food Capacity
- Easy one touch pulse operation
- Stainless steel blades
- Powerful quiet motor
- Transparent Lid



SPECIFICATIONS

Operating Voltage: 220-240v~ 50Hz
Wattage: 150w



IMPORTANT SAFEGUARDS AND PRECAUTIONS



SAVE THESE INSTRUCTIONS

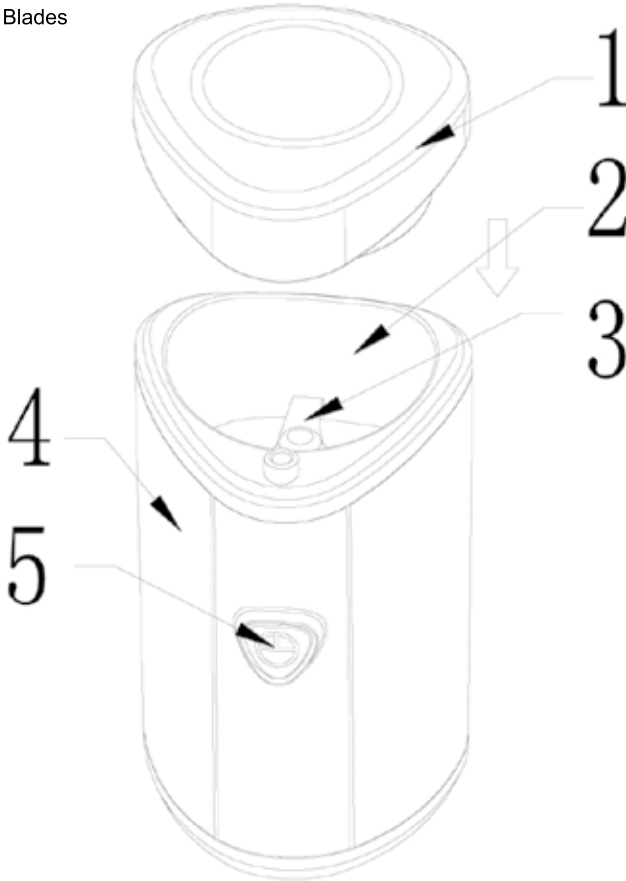
- Read all instructions carefully
- For Household Use only. Not intended for commercial use.
- Only for use indoors.
- Do not use outside or in damp conditions.
- Before plugging into mains socket, check whether supply line voltage and current rating are in compliance with the rated electrical parameters shown on the rating label.
- Keep away from hot surfaces, such as gas or electric hobs and ovens etc
- Do not use for any purposes other than the appliances intended use.
- This appliance is not intended to be operated by means of an external timer or separate remote control system.
- To prevent damage to the mains cord, do not let it pass over sharp corners, edges or hot surfaces.
- If the supply cord is damaged, do not use. Check before each use!
- The supply cord cannot be replaced. If the cord is damaged the appliance should be scrapped.
- Do not use if any part of this appliance is damaged in any way.
- Always unplug when not in use.
- To prevent against the risk of electric shock, do not submerge any part of this appliance in water, unless advised in this manual.
- This appliance should only be used on a flat surface.

- This appliance can be used by children aged from 8 years and above and persons with reduced physical, sensory or mental capabilities or lack of experience and knowledge if they have been given supervision or instruction concerning use of the appliance in a safe way and understand the hazards involved.
- Children shall not play with this appliance.
- Cleaning and user maintenance shall not be made by children without supervision.

- Always disconnect the appliance from the supply if it is left unattended and before assembling, disassembling or cleaning.
- Blades are very sharp, even when not in use. Caution should be taken when cleaning or handling blades.
- Ensure correct assembly of all parts before use.
- Blades should be checked regularly for any damage or cracks.
- Do not use when empty or below the minimum mark.
- Do not operate in the presence of flammable fumes or mix flammable materials.
- Do not allow children to use this appliance without supervision.

LOCATION OF CONTROLS

1. Transparent Lid
2. Coffee Cup
3. Stainless Steel Blades
4. Main Body
5. On/Off Switch



OPERATION



CAUTION!

This appliance operates at very high speeds and is fitted with a safety cut-out switch. DO NOT CIRCUMVENT THIS SAFETY SWITCH. DO NOT USE CONTINUOUSLY FOR MORE THAN 30 SECONDS.

PREPARATION BEFORE USE

Before first use, **wash** the Bowl in warm water, **rinse** and **dry well**. Grinding is a very fast process. The motor drives the Blades at a high speed to ensure that thorough chopping is achieved. **Make sure** that whenever you use your Grinder it is standing on a **flat, clean, dry surface**. Before chopping, please **make sure** that all parts are correctly assembled.

OPERATION CONTINUED

CORD STORAGE

The unit comes with an integral cord storage system. To remove the cord, **gently unwind** the cord under the base, and **rewind** after use.

NOTE: Please carefully examine the cord for any signs of damage.

OPERATION

1

Keep unit unplugged.

2

Remove Lid, and **place** Coffee Beans or Spices into the Bowl.

3

Replace Lid, ensuring switch is in correct position.

4

Plug unit into Mains Socket.

5

Hold Lid and Unit **Firmly** down.

6

Press and **hold** switch to operate.

7

Do not use continuously for more than **30 seconds**. If required to grind for longer periods, operate for **30 seconds**, and then wait **1 minute intervals**.

NOTE: This is to avoid the motor from burning out. If the motor burns out, the unit will cease to operate.

CLEANING AND CARE

MAINTENANCE:

This appliance has been designed to operate over a long period of time with a minimum of maintenance. Continuous satisfactory operation depends upon proper care and regular cleaning.

Warning! Before performing any maintenance or cleaning of this appliance, disconnect the appliance from the electrical supply.

CLEANING:

Never put the Unit under a tap or in a dishwasher, but clean it with a damp sponge. Handle the Blades carefully when cleaning. They are extremely sharp.

- **Unplug** the appliance.
- **Remove** the lid and **rinse** the Lid under running water.
- **Leave** all parts to **dry naturally**.
- Wipe clean the unit with a damp sponge or cloth: NEVER IMMERSE IN WATER.
- THIS ITEM IS NOT DISHWASHER SAFE

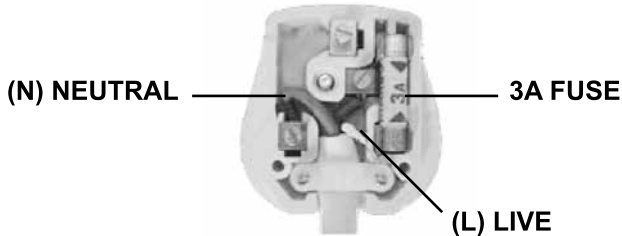
WEEE/ENVIRONMENTAL PROTECTION



Disposal of Electrical and Electronic Equipment

Do not dispose of this product with household waste. For the proper treatment, recovery and recycling please take this product to the appropriate waste collection point. If you are unsure where this may be, please contact your local authority. Improper disposal may be harmful to the environment.

UK PLUG REWIRING



Your appliance operates on 220-240V~50Hz AC Mains and comes fitted with a 3-pin BSI Approved plug, so that it is ready for use by simply plugging into AC Mains. Should you need to change or refit a plug, proceed as follows: -

IMPORTANT:

The wires in the mains lead are coloured in accordance with the following code:

BLUE: NEUTRAL (N)
BROWN: LIVE (L)

As the colours of the wires in the mains lead of this appliance may not correspond with the coloured markings identifying the terminals in your plug, proceed as follows:

The BLUE wire must be connected to the terminal which is marked with the letter "N" or coloured BLACK.

The BROWN wire must be connected to the terminal which is marked with the letter "L" or coloured RED.

DO NOT CONNECT EITHER WIRE TO THE EARTH TERMINAL OF A 3-PIN PLUG

Always ensure that the Mains Cord is located into the Plug through the Cord Guard or Cable Clamp, and that the Cord Guard screws are tightened to clamp the Cord (outer sheath and inner coloured wires) in position in the Plug. Make sure the Plug top is also fitted securely.

The supply cord cannot be replaced. If the supply cord is damaged, the appliance should be scrapped.

This appliance must be protected by a 3 Amp fuse in a 13 Amp type (BS1363) plug. Should you need to replace the fuse, use only an ASTA approved BS1362 fuse.



LLOYTRON® CUSTOMER SERVICES

If you have any queries about this product, there are three ways to contact our customer service department:

call: 08454 81 8808

email: customerservice@lloytron.com

web: www.lloytronhelpdesk.com

To find more details on a wide range of Lloytron products please visit our website at **www.lloytron.com**
Lloytron plc, Laltex House, Leigh Commerce Park, Greenfold Way, Leigh, Lancashire, WN7 3XH. England, U.K