

STAYCOOL®

OPERATING INSTRUCTIONS

9" Desk Fan



MODEL: F1003WH

thank you

Thank you for the purchase of this quality **STAYCOOL** product. Used carefully and in accordance with the instructions enclosed, it should give you trouble free service over a long period of time. Please keep these instructions for future reference.

FEATURES

- Vertical tilt
- Two speed settings
- Safety Mesh Grill.
- Quiet motor
- Diameter approx. 9" (23cm)
- 90 oscillation or static operation

SPECIFICATIONS

Operating Voltage: 220-240v~50Hz

Power Consumption: 25w max.

IMPORTANT SAFEGUARDS AND PRECAUTIONS


READ AND SAVE THESE INSTRUCTIONS

- For Household Use only. Not intended for commercial use.
- Only for use indoors.
- Before plugging into mains socket, check whether supply line voltage and current rating are in compliance with the rated electrical parameters shown on the rating label.
- Keep away from hot surfaces, such as gas or electric hobs and ovens etc
- This appliance is not intended to be operated by means of an external timer or separate remote control system.
- To prevent damage to the mains cord, do not let it pass over sharp corners, edges or hot surfaces.
- If the supply cord is damaged, do not use. Check before each use!
- If the supply cord is damaged, it must be replaced by a special cord or assembly available from the manufacturer or its service agent.
- Always unplug when not in use.
- To prevent against the risk of electric shock, do not submerge any part of this appliance in water, unless advised in this manual.
- This appliance should only be used on a flat surface.
- Keep at least 50cm away from any wall or other objects, including people.



- Check the assembly is correct and robust.
- Avoid contact with moving parts. Do not insert any body parts (e.g. finger) or objects through the grill when the fan is operating.
- Be sure fan is on a stable surface when operating to avoid overturning.
- Always disconnect the fan when moving it from one location to another.
- Switch off and unplug from outlet when the product is not in use, before assembling or disassembling parts and before cleaning. Fully assemble the fan before switching on.

- This appliance can be used by children aged from 8 years and above and persons with reduced physical, sensory or mental capabilities or lack of experience and knowledge if they have been given supervision or instruction concerning use of the appliance in a safe way and understand the hazards involved.
- Children shall not play with this appliance.
- Cleaning and user maintenance shall not be made by children without supervision.

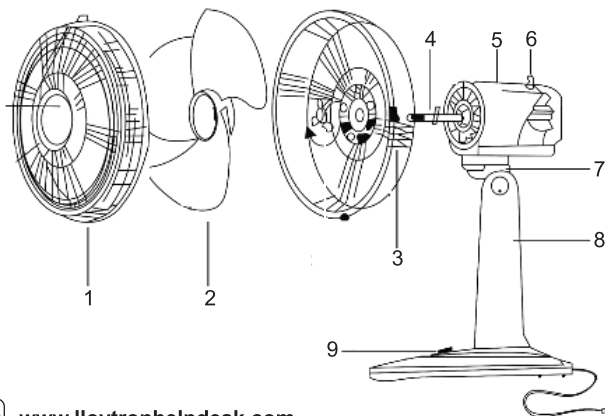
 **WARNING!** Do not cover.

DO NOT

- Do not use outside or in damp conditions.
- Do not use for any purposes other than the appliances intended use.
- Do not use if any part of this appliance is damaged in any way.
- Do not use in bathrooms or in the vicinity of a bathtub, shower, or near a washbasin.
- Do not use near water.
- Do not use in vehicles.
- Do not operate in close proximity to curtains, etc.

ASSEMBLY

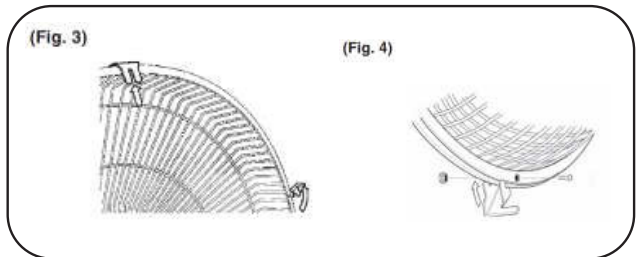
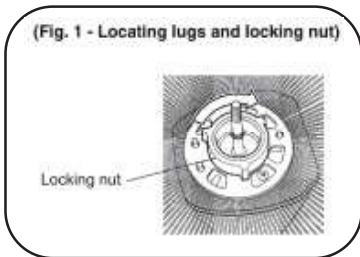
1. Front Grille
2. Fan Blade
3. Rear Guard
4. Motor Shaft
5. Motor Housing
6. Oscillating Knob
7. Neck Piece Assembly
8. Stand
9. Speed Control Switch (0, 1, 2)



HOW TO ASSEMBLE THE FAN

1. Remove the "large locking nut" at the far end of the shaft.
2. Place the back part of the safety grille over the shaft onto the locating lugs, ensuring the carry handle is on top. (See fig 1)
3. Secure the back plate by tightening the "large locking nut" back into place. Do not over tighten.
4. Remove the tiny nut and bolt from the front grille and keep to one side.
5. Slide the fan blades on to the shaft until it can go no further. There is a locating slot on the blades that must be located onto the pins of the shaft.
6. Open any side clips on the front grille that maybe flat.
7. Fit the front part of the grille over the back part of the grille ensuring the hook clip is at 12 o'clock (See fig 3).
8. Push the side clips down clipping both the front and back parts of the safety grille together.
9. Using the tiny nut and bolt removed earlier, push through both parts of the grille in the holes at 6 o'clock on the grille. Tighten the nut on the bolt to ensure the two parts of the grille are unable to be removed. (see Fig 4)

NOTE: DO NOT hang or mount this fan on a wall or ceiling.



OPERATION

■ BEFORE FIRST USE

⚠ CAUTION

Select a suitable location for the fan. Always choose a safe location in accordance to the safety recommendations outlined.

When placing a fan on a table or shelf, always ensure that the power cord does not hang where it can accidentally be pulled and that the unit cannot accidentally fall.

⊘ DO NOT

Do not hang or mount the fan on a wall or ceiling.

■ ON / OFF AND SPEED CONTROL

The ON/Off and Speed is controlled by the Button Switch.

0- The Fan is switched Off

1- The Fan operates at the lowest speed

2- The Fan operates at the middle speed



ANGLE ADJUSTMENT

Switch off the fan. Slightly loosen the Adjusting Screw by turning it anti-clockwise. Adjust the fan to the desired angle and then tighten the Adjusting Screw by turning it clockwise.



CLEANING AND CARE

■ MAINTENANCE

Switch off and unplug from the power supply before assembling or disassembling and cleaning.

Keep the air vents at the rear of the main body free from dust or fluff– use a vacuum cleaner to remove these when necessary. Do not probe any opening to remove fluff.

Fan component parts should be cleaned using mild soap and a damp cloth or sponge. Do not allow any water or other liquid to enter the motor housing.

Thoroughly remove soap film with clean water.

CAUTION

Do not use harsh detergents, chemical cleaners or solvents as they may damage the surface finish of the fan components.

| Information requirements | | | |
|--|--|-------|-------------------------|
| Description | Symbol | Value | Unit |
| Maximum fan flow rate | F | 11.92 | m ³ /min |
| Fan power input | P | 19.8 | W |
| Service value | SV | 0.6 | (m ³ /min)/W |
| Standby power consumption | P _{SB} | 0.00 | W |
| Seasonal electricity consumption | Q | 6.3 | kWh/a |
| Fan sound power level | LWA | 50.0 | dB(A) |
| Maximum air velocity | C | 2.4 | Meters/sec |
| Measurement standard for service value | COMMISSION REGULATION (EU) No 206/2012 BS EN IEC 60879:2019 BS EN 50564:2011 BS EN IEC 60704-2-7:2020 | | |

Contact details for obtaining more information

UK: Lloytron Ltd, Laltex House, Leigh, England WN7 3XH

Europe: Laltex Ireland Ltd, Dublin 2, D02 AY86

WEEE/ENVIRONMENTAL PROTECTION

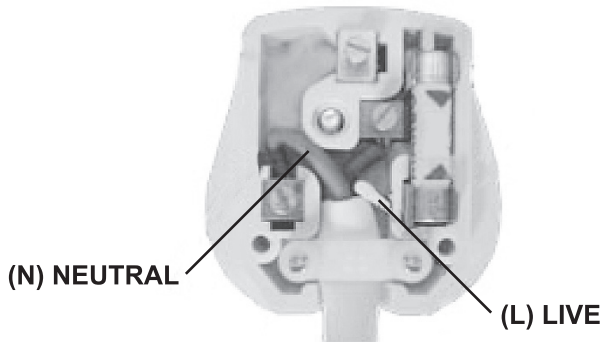


■ DISPOSAL OF ELECTRICAL AND ELECTRONIC EQUIPMENT

Do not dispose of this product with household waste. For the proper treatment, recovery and recycling please take this product to the appropriate waste collection point. If you are unsure where this may be, please contact your local authority. Improper disposal may be harmful to the environment.



FITTING A NEW UK PLUG



Your appliance operates on 220-240V~50Hz AC Mains and comes fitted with a 3-pin BSI Approved plug, so that it is ready for use for the UK or Eire market. If for any reason you need to fit a new plug, the flexible mains lead must be connected as shown below: -

■ IMPORTANT:

The wires in the mains lead are coloured in accordance with the following code:

| | |
|--------|-------------|
| BLUE: | NEUTRAL (N) |
| BROWN: | LIVE (L) |

As the colours of the wires in the mains lead of this appliance may not correspond with the coloured markings identifying the terminals in your plug, proceed as follows:

The BLUE wire must be connected to the terminal which is marked with the letter "N" or coloured BLACK. The BROWN wire must be connected to the terminal which is marked with the letter "L" or coloured RED.

■ DO NOT CONNECT EITHER WIRE 'L' OR 'N' TO THE EARTH TERMINAL OF A 3-PIN PLUG

Always ensure that the Mains Cord is located into the Plug through the Cord Guard or Cable Clamp, and that the Cord Guard screws are tightened to clamp the Cord (outer sheath and inner coloured wires) in position in the Plug. Make sure the Plug top is also fitted securely.

The supply cord cannot be replaced. If the supply cord is damaged, the appliance should be scrapped.

This appliance must be protected by a 3 Amp fuse in a 13 Amp type (BS1363) plug. Should you need to replace the fuse, use only an ASTA approved BS1362 fuse.



STAYCOOL[®] CUSTOMER SERVICES

If you have any queries about this product then please contact Lloytron Customer Services online at:



www.lloytronhelpdesk.com

To find out more about Staycool products, visit www.lloytron.com



Distributed in UK by Lloytron Ltd, Laltex House, Leigh, England WN7 3XH
Distributed in Europe by Laltex Ireland Ltd, Dublin 2, D02 AY86