

STAYCOOL®

OPERATING INSTRUCTIONS

16" Oscillating Wall Fan



MODEL: F1421WH

thank you

Thank you for the purchase of this quality **STAYCOOL** product. Used carefully and in accordance with the instructions enclosed, it should give you trouble free service over a long period of time. Please keep these instructions for future reference.

FEATURES

- Vertical tilt
- Three speed settings
- Quiet motor
- Mesh Safety Grill.
- Diameter approx. 16" (40cm)
- 70° oscillation or static operation
- Pull Cord Operation

SPECIFICATIONS

Operating Voltage: 220-240v~50Hz

Power Consumption: 45-50w max.

IMPORTANT SAFEGUARDS AND PRECAUTIONS

READ AND SAVE THESE INSTRUCTIONS

- For Household Use only. Not intended for commercial use.
- Only for use indoors.
- Before plugging into mains socket, check whether supply line voltage and current rating are in compliance with the rated electrical parameters shown on the rating label.
- Keep away from hot surfaces, such as gas or electric hobs and ovens etc
- This appliance is not intended to be operated by means of an external timer or separate remote control system.
- To prevent damage to the mains cord, do not let it pass over sharp corners, edges or hot surfaces.
- If the supply cord is damaged, do not use. Check before each use!
- if the supply cord is damaged, it must be replaced by a special cord or assembly available from the manufacturer or its service agent.
- Always unplug when not in use.
- To prevent against the risk of electric shock, do not submerge any part of this appliance in water, unless advised in this manual.
- This appliance should only be used on a flat surface.
- Keep at least 50cm away from any wall or other objects, including people.
- Check the assembly is correct and robust.
- Avoid contact with moving parts. Do not insert any body parts (e.g. finger) or objects through the grill when the fan is operating.



- Be sure fan is on a stable surface when operating to avoid overturning.
- Always disconnect the fan when moving it from one location to another.
- Switch off and unplug from outlet when the product is not in use, before assembling or disassembling parts and before cleaning. Fully assemble the fan before switching on.

• This appliance can be used by children aged from 8 years and above and persons with reduced physical, sensory or mental capabilities or lack of experience and knowledge if they have been given supervision or instruction concerning use of the appliance in a safe way and understand the hazards involved.

- Children shall not play with this appliance.
- Cleaning and user maintenance shall not be made by children without supervision.

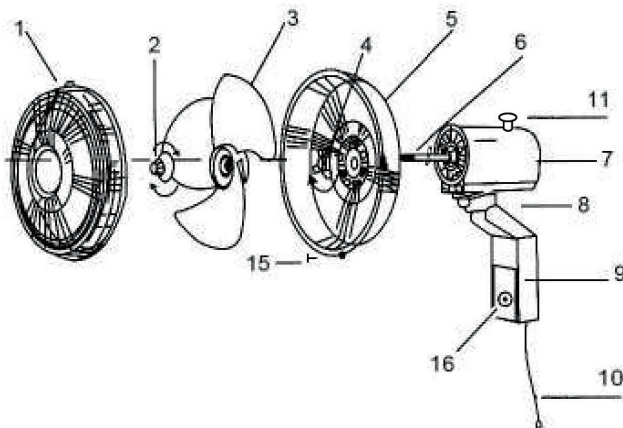
 **WARNING!** Do not cover.

DO NOT

- Do not use outside or in damp conditions.
- Do not use for any purposes other than the appliances intended use.
- Do not use if any part of this appliance is damaged in any way.
- Do not use in bathrooms or in the vicinity of a bathtub, shower, or near a washbasin.
- Do not use near water.
- Do not use in vehicles.
- Do not operate in close proximity to curtains, etc.

ASSEMBLY

1. Front Grill.
2. Fan Blade Nut.
3. Fan Blade.
4. Rear Grill Screw.
5. Rear Grill.
6. Motor Shaft.
7. Motor Housing.
8. Tilt Neck.
9. Switch Housing.
10. 3 Speed Pull Control.
11. Oscillation Knob.
12. Wall Mounting locating holes.
13. Wall Plugs.
14. Fixing Screw.
15. Grill Screw.
16. Speed settings dial.



■ HOW TO ASSEMBLE THE FAN

1. Remove the rear grill lock nut (4) from the motor shaft spindle (6).
2. Fit the rear grill (5) by positioning it on the location pins. Secure the grill to the motor body with the grill lock nut (4).
3. Push the fan blade (3) onto the motor shaft (6) until the fan blade is appropriately fitted. For models with shaft pins, push the fan blade onto the motor shaft by matching the slots on the base of the blade with the shaft pin.
4. Secure the blade with the blade nut (2) by turning it counter - clockwise. Check that the fan blade rotates freely by turning it with your hand.
5. Open securing clips around the front grill (1) and loosen the clip screw at the bottom of the front grill.
6. Position the top clip on the uppermost part of the rear grill. Push the top clip down and press rim of the front grill onto the rear grill. Close all clips around and tighten the safety screw.
7. Select an appropriate location and fix the wall fan (12) onto a strong wall (or locate a stud behind plaster boards) with the wall plugs (13) and screws (14) supplied.
8. Mount the wall fan on the screw heads and plug in the unit.
9. If the power cord is hanging loosely between the fan and the power outlet, make sure it will not touch or obstruct fan blade rotation or fan oscillation in any way.

Note: Consider a location within a distance of 0.8m radius from a wall power outlet to make sure you can plug the unit into the power point easily.

OPERATION

1. Plug the fan into an electrical socket and switch on at the wall.
2. You can control your wall fan either with the speed settings dial, or with pull cords.
3. Pull on the cord to switch the fan on. At first start-up the fan will operate at low speed.
4. Pull on the same cord a couple of times to reach desired fan speed. Choose between Low (1), Medium (2) and High (3) fan speed.
5. Pull the oscillation knob up to activate the oscillation mode.
6. To operate via the speed settings dial, turn the dial to 1 for low, 2 for medium and 3 for high speeds.

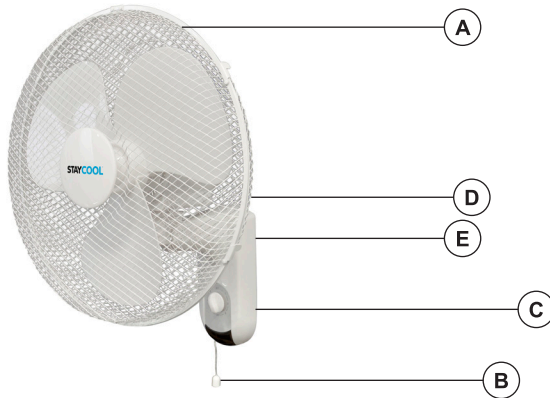


CAUTION

The fan should always be switched off when making this adjustment.



LOCATION OF CONTROLS



A - Safety grill

The safety grill is designed to stop users from inserting fingers or any other objects into the fan blades, preventing personal injury and/or damage to the product.

B - Pull cord

Pull on the pull cord repeatedly to cycle through the 3 speed settings. Pull once for low speed, twice for medium and 3 times for high speed. Pull once more to switch the unit off.

C - Speed settings dial

In addition to the pull cord, this unit can also be operated using the speed setting dial. Switch

between 1 for low speed, 2 for medium speed and 3 for high speed. Switch back to the off position to turn the unit off.

D - Oscillation knob

Pull the oscillation knob up to activate the oscillation mode. This will cause the fan to oscillate from side to side.

E - Mounting holes

This product comes with mounting holes at the rear (fixtures and fittings included).



CLEANING AND CARE

■ MAINTENANCE

Switch off and unplug from the power supply before assembling or disassembling and cleaning.

Keep the air vents at the rear of the main body free from dust or fluff– use a vacuum cleaner to remove these when necessary. Do not probe any opening to remove fluff.

Fan component parts should be cleaned using mild soap and a damp cloth or sponge. Do not allow any water or other liquid to enter the motor housing.

Thoroughly remove soap film with clean water.

CAUTION

Do not use harsh detergents, chemical cleaners or solvents as they may damage the surface finish of the fan components.

INFORMATION REQUIREMENTS

Description	Symbol	Value	Unit
Maximum fan flow rate	F	39.3	m ³ /min
Fan power input	P	43.1	W
Service value	SV	1.04	(m ³ /min)/W
Standby power consumption	PSB	0.00	W
Seasonal electricity consumption	Q	13.9	kWh/a
Fan sound power level	LWA	54	dB(A)
Maximum air velocity	C	2.0	Meters/sec
Measurement standard for service value	COMMISSION REGULATION (EU) No 206/2012 IEC60879:1986 EN50564:2011 EN60704-2-7:1998 EN60704-1:2010		

Contact details for obtaining more information

UK: Lloytron Ltd, Greenfold Way, Leigh, Lancashire, England. WN7 3XH

Europe: Laltex Ireland Ltd, Dublin 2, D02 AY86

WEEE/ENVIRONMENTAL PROTECTION

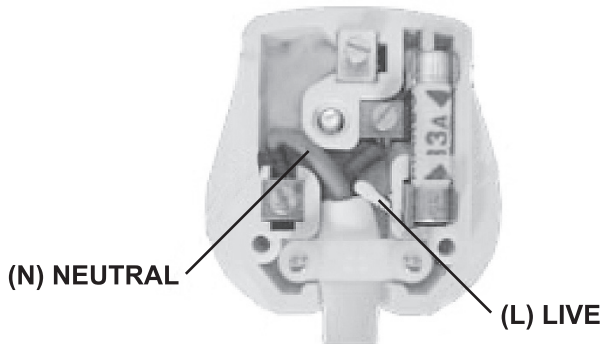


■ DISPOSAL OF ELECTRICAL AND ELECTRONIC EQUIPMENT

Do not dispose of this product with household waste. For the proper treatment, recovery and recycling please take this product to the appropriate waste collection point. If you are unsure where this may be, please contact your local authority. Improper disposal may be harmful to the environment.



FITTING A NEW UK PLUG



Your appliance operates on 220-240V~50Hz AC Mains and comes fitted with a 3-pin BSI Approved plug, so that it is ready for use for the UK or Eire market. If for any reason you need to fit a new plug, the flexible mains lead must be connected as shown below: -

■ IMPORTANT:

The wires in the mains lead are coloured in accordance with the following code:

BLUE:	NEUTRAL (N)
BROWN:	LIVE (L)

As the colours of the wires in the mains lead of this appliance may not correspond with the coloured markings identifying the terminals in your plug, proceed as follows:

The BLUE wire must be connected to the terminal which is marked with the letter "N" or coloured BLACK.
The BROWN wire must be connected to the terminal which is marked with the letter "L" or coloured RED.

■ DO NOT CONNECT EITHER WIRE 'L' OR 'N' TO THE EARTH TERMINAL OF A 3-PIN PLUG

Always ensure that the Mains Cord is located into the Plug through the Cord Guard or Cable Clamp, and that the Cord Guard screws are tightened to clamp the Cord (outer sheath and inner coloured wires) in position in the Plug. Make sure the Plug top is also fitted securely.

The supply cord cannot be replaced. If the supply cord is damaged, the appliance should be scrapped.

This appliance must be protected by a 3 Amp fuse in a 13 Amp type (BS1363) plug.
Should you need to replace the fuse, use only an ASTA approved BS1362 fuse.



STAYCOOL[®] CUSTOMER SERVICES

If you have any queries about this product then please contact Lloytron Customer Services online at:



www.lloytronhelpdesk.com

To find out more about Staycool products, visit www.lloytron.com



Distributed in UK by Lloytron Ltd, Laltex House, Leigh, England WN7 3XH
Distributed in Europe by Laltex Ireland Ltd, Dublin 2, D02 AY86