

# STAY WARM®

---

## OPERATING INSTRUCTIONS

---

# 1500w Patio Heater



### BEFORE OPERATION

CHECK THAT THE UNIT HAS NOT BEEN DAMAGED IN TRANSIT.  
THINK SAFETY!

DO NOT USE WITH EXTENSION LEADS OR TIMERS.

---

MODEL: F2722

---

# thank you

Thank you for the purchase of this quality **STAYWARM** product. Used carefully and in accordance with the instructions enclosed, it should give you trouble free service over a long period of time. Please keep these instructions for future reference.

---

## FEATURES

---

- 3 Heat Settings, 500w, 1000w and 1500w
- Golden Tube which filters UV light
- Aluminium alloy housing
- IP65 rated for Outdoor use



---

## SPECIFICATIONS

---

Operating Voltage: 220-240v~50Hz

Power Output: 500w – 1640w

---

## IMPORTANT SAFEGUARDS AND PRECAUTIONS

---

### READ AND SAVE THESE INSTRUCTIONS

- Read all instructions carefully
- For Household Use only.
- For indoor or outdoor use.
- Before plugging into mains socket, check whether supply line voltage and current rating are in compliance with the rated electrical parameters shown on the rating label.
- Always unplug when not in use.

• The supply cord cannot be replaced. If the cord is damaged the appliance should be scrapped.



- This appliance can be used by children aged from 8 years and above and persons with reduced physical, sensory or mental capabilities or lack of experience and knowledge if they have been given supervision or instruction concerning use of the appliance in a safe way and understand the hazards involved.
- Children shall not play with this appliance.
- Cleaning and user maintenance shall not be made by children unless they are older than 8 and supervised.
- Children of less than 3 years should be kept away unless continuously supervised.
- Children aged from 3 years and less than 8 years shall only switch on/off the appliance provided that it has been placed or installed in its intended normal operating position and they have been given supervision or instruction concerning use of the appliance in a safe way and understand the hazards involved.
- Children aged from 3 years and less than 8 years shall not plug in, regulate and clean the appliance or perform user maintenance.

#### DO NOT

- Do not use if the appliance is damaged or malfunctions.
- Do not place near or come in contact with flammable material (curtains, draperies, furnishings, wallpaper etc) or materials that may deform or melt or plant life whilst in operation.
- Do not use for any purposes other than the appliances intended use.
- Do not twist or kink the cable, or wrap it around the appliance.
- Do not plug or unplug the appliance with wet hands.
- Do not cover the appliance whilst in operation.
- Do not operate by use of an external programmable timer, remote control system or other device that switches the heater on automatically, since a fire risk exists if the heater is covered or positioned incorrectly.
- Do not leave unattended when in use.
- Do not use this heater in the immediate surroundings of a bath, a shower, washbasin or a swimming pool.
- Do not push any objects through, obstruct or cover the grill of the heater head.
- Do not touch the heater head when in use, or immediately after use. This will remain hot for some time.
- Do not leave on when unattended or with children or pets present.
- Do not use where gas, petrol, paint or other inflammable goods are stored.
- Do not use as a clothes drier or towel drier.
- Do not use in a place where causticity or volatile air exists ie dust, steam, gas etc
- Do not use as a sauna heater
- Do not use an extension lead.
- Do not immerse in water for cleaning.
- Do not use for animal propagating.





**WARNING!** In order to avoid overheating, do not cover.

### **⚠ WARNING**

- Keep the appliance at least 100cm away from any wall or other objects, including people.
- Always keep the appliance on the floor.
- Always check the product for damage before operation. If damaged, DO NOT USE.
- Keep away from hot surfaces, such as gas or electric hobs or ovens.
- If supply cord is damaged, do not use. Check before each use.
- To prevent damage to the cord, do not let it pass over sharp corners, edges or hot surfaces.
- This heater must not be located immediately below a socket outlet.
- This heater is not equipped with a device to control the room temperature. Do not use this heater in small rooms when they are occupied by persons not capable of leaving the room on their own, unless constant supervision is provided.
- Pay attention that combustible materials do not cover or obstruct this heater due to wind or other environmental influences, such as flags, curtains, marquees, plastic foil etc
- Always place on a flat and level surface.
- The unit must be handled with care and avoid vibration or hitting.

### **⚠ CAUTION**

Some parts of this product can become very hot and cause burns. Particular attention has to be given where children and vulnerable people are present.

---

## LOCATION OF CONTROLS

---

### **A - Heater**

Single golden tube heating element.

### **B - On/Off Switch**

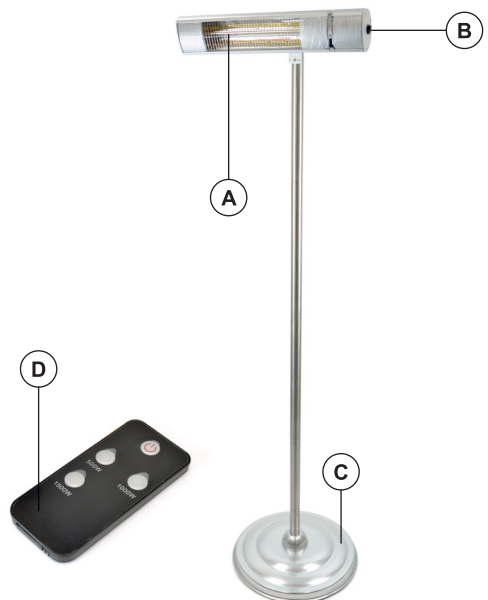
This switch turns on or off the unit for remote operation

### **C - Stand**

The stand is 1.8m in height before the heater.

### **D - Remote Control**

The remote control is used to operate the heater settings and on/off



---

## BEFORE FIRST USE

---

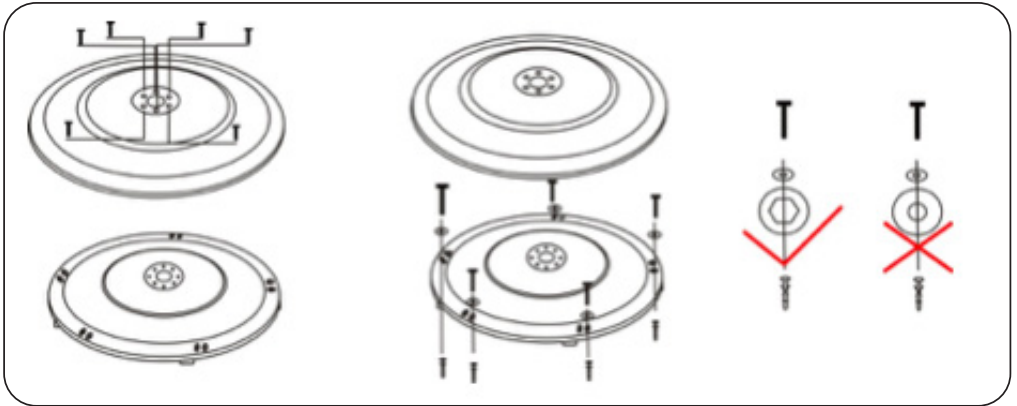
1. Unpack the heater making sure all parts are present and there are no components left inside the box.
2. Do not connect this heater to the power supply until it is full assembled and positioned in a safe place.
3. Use the detailed drawings to assemble the heater.

---

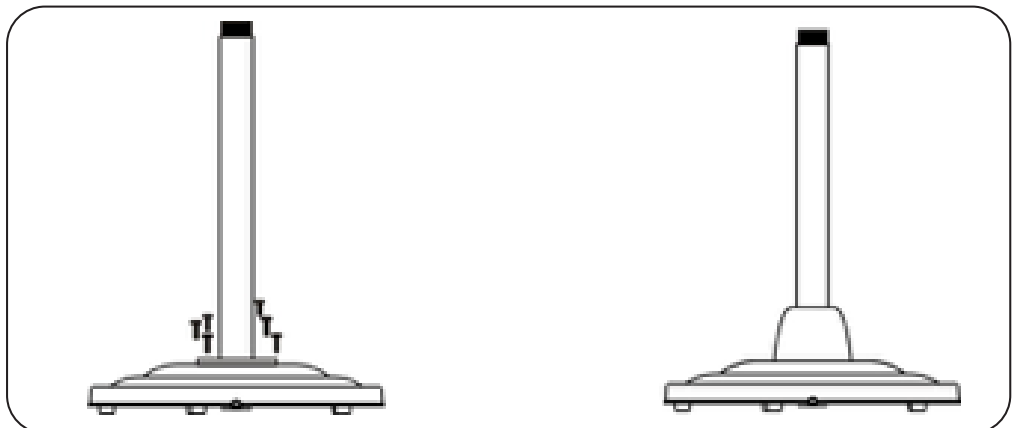
## ASSEMBLY

---

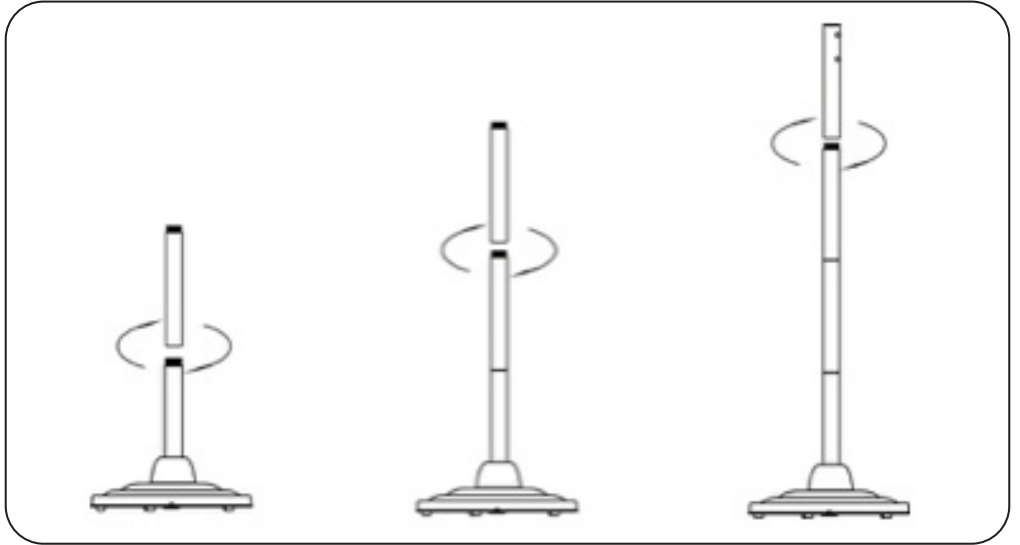
**STEP 1:** Unscrew 6pcs M6 x35mm screws, separate the cover and weights. Using 5pcs of the 8 plastic anchors and 5pcs ST4 x60mm screws to fix the weights to the ground. (As the below holes with tick, using screw plate)



**STEP 2:** Fix the bottom tube and cover and the base by using 6pcs M6\*35mm screws. Place the decorative cover onto the bottom tube.

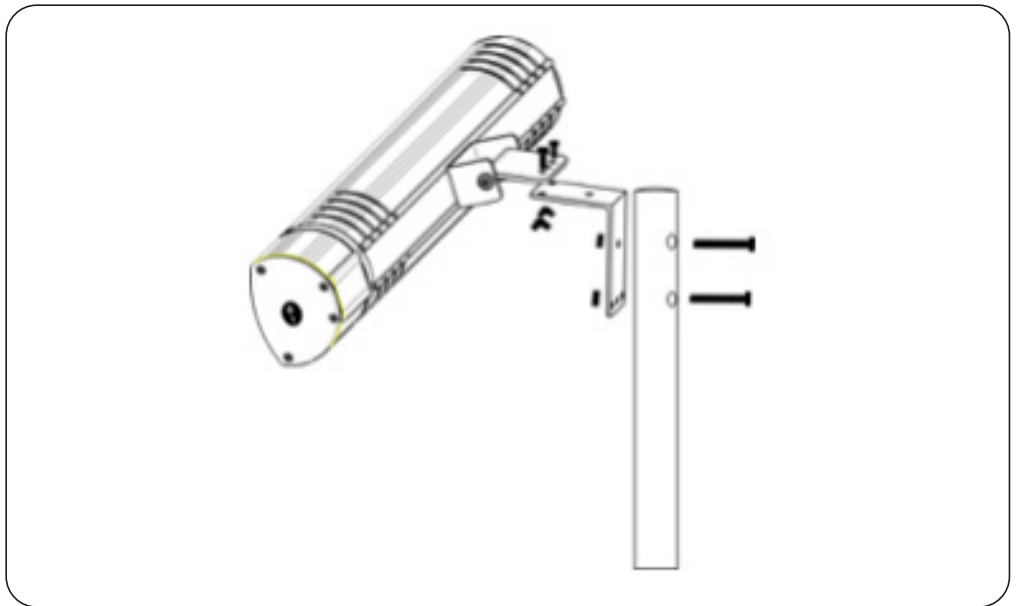


**STEP 3:** Connect the two middle tubes with bottom tube by screwing them together. Connect the top tube with middle tubes by screwing them together.



**STEP 4:** Put the rocker switch in the right side and use M6 x14mm screws and butterfly nuts fix the L shape bracket and the heater head.

Use M6 x47mm screws and M6 nuts fix the whole heater head to the stand.



Check that the heater is stable and secure before placing in position.

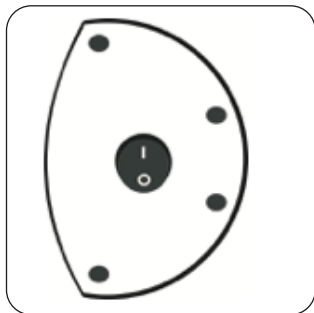


---

# OPERATION

---

Connect the power cable to a 13 amp outdoor waterproof power supply that is located in a safe dry area.



The rocker switch on right side is used to control power on/off.

## ■ REMOTE CONTROL

### 1. On / Off

Switches on or off the heater or stands it by.

### 2. 500w

After turn on the heater, you can choose low heating.

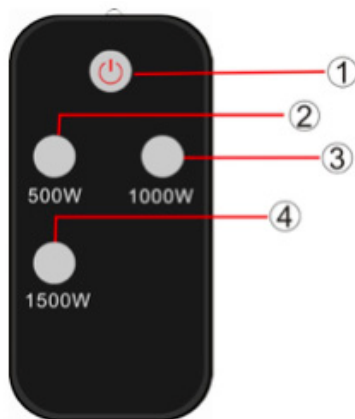
### 3. 1000w

After turn on the heater, you can choose moderate heating.

### 4. 1500w

After turn on the heater, you can choose high heating.

Always disconnect the power cable from the supply when not in use.

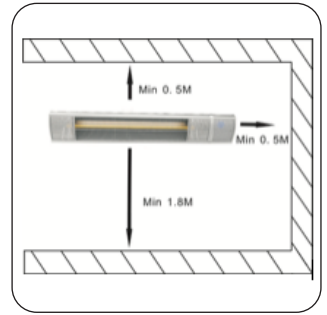


## ■ WALLMOUNTED

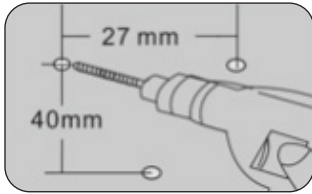
The unit is supplied with a wallmounting kit, should it be desired to affix the heater to a wall.

### Ensure the production's installation site

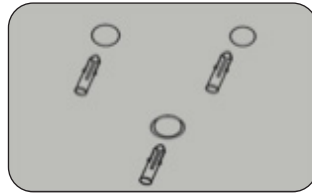
For the safe use of the product, the product installation position should ensure the bottom minimum height of 1.8 m from the ground, ceiling, roof, or other coverings minimum distance is 0.5 m, minimum distance with both sides wall is 0.5 m (as shown in figure 1)



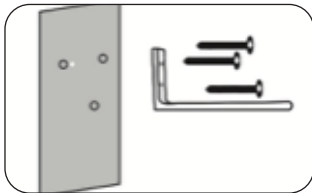
## ■ INSTALLATION STEPS



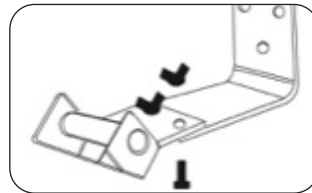
**1.** According to the product installation location, use drill to make three diameter 8 mm round holes



**2.** Insert the three plastic rawl plugs to the three holes



**3.** Fixed the bracket by three ST4x35mm screws and make sure the installation points fixed securely



**4.** Before fixed the heater, make sure the rocker power switch on the right side and then fixed the bracket and heater by two M6x14mm screws and butterfly nuts



---

## CLEANING AND CARE

---

### ■ MAINTENANCE

This appliance has been designed to operate over a long period of time with minimum of maintenance. Continuous satisfactory operation depends upon proper care and regular cleaning.

### ■ CLEANING

Always unplug and allow cooling before cleaning.

Wipe with a damp cloth.

Never use corrosive or solvent cleaners or immerse in water.

### ■ STORAGE

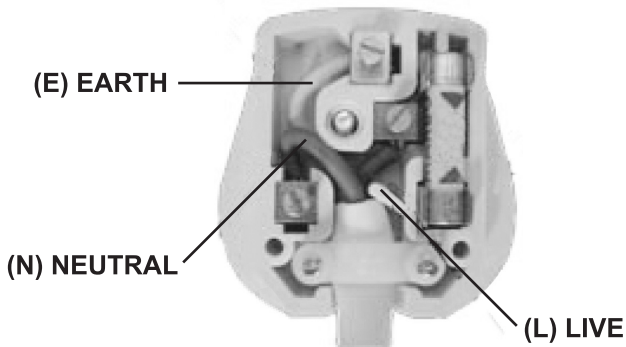
Always store this appliance and cord in a moisture-free area.



---

## FITTING A NEW UK PLUG

---




Your appliance operates on 220-240V~50Hz AC Mains and comes fitted with a 3-pin BSI Approved plug, so that it is ready for use for the UK or Eire market. If for any reason you need to fit a new plug, the flexible mains lead must be connected as shown below: -

### ■ IMPORTANT:

The wires in the mains lead are coloured in accordance with the following code:

BLUE:	NEUTRAL (N)
BROWN:	LIVE (L)
GREEN AND YELLOW:	EARTH (E)

As the colours of the wires in the mains lead of this appliance may not correspond with the coloured markings identifying the terminals in your plug, proceed as follows:

The BLUE wire must be connected to the terminal which is marked with the letter "N" or coloured BLACK.  
The BROWN wire must be connected to the terminal which is marked with the letter "L" or coloured RED.  
The GREEN AND YELLOW wire must be connected to the terminal which is marked with the letter "E", the symbol  or coloured GREEN.

### ■ DO NOT CONNECT EITHER WIRE 'L' OR 'N' TO THE EARTH TERMINAL OF A 3-PIN PLUG

Always ensure that the Mains Cord is located into the Plug through the Cord Guard or Cable Clamp, and that the Cord Guard screws are tightened to clamp the Cord (outer sheath and inner coloured wires) in position in the Plug. Make sure the Plug top is also fitted securely.

The supply cord cannot be replaced. If the supply cord is damaged, the appliance should be scrapped.

This appliance must be protected by a 7 Amp fuse in a 13 Amp type (BS1363) plug. Should you need to replace the fuse, use only an ASTA approved BS1362 fuse.



---

## WEEE/ENVIRONMENTAL PROTECTION

---



### ■ DISPOSAL OF ELECTRICAL AND ELECTRONIC EQUIPMENT

Do not dispose of this product with household waste. For the proper treatment, recovery and recycling please take this product to the appropriate waste collection point. If you are unsure where this may be, please contact your local authority. Improper disposal may be harmful to the environment.



---

## **STAYWARM** CUSTOMER SERVICES

---

If you have any queries about this product then please contact Lloytron Customer Services online at:



**[www.lloytronhelpdesk.com](http://www.lloytronhelpdesk.com)**

To find out more about StayWarm products, visit [www.lloytron.com](http://www.lloytron.com)



Distributed by Lloytron Plc, Laltex House, Leigh, England WN7 3XH