

Paul
anthony[®]

OPERATING INSTRUCTIONS

Pro Series 3

Rechargeable Men's Shaver with Trimmer



MODEL: H5010

thank you

Thank you for the purchase of this quality **PAUL ANTHONY** product. Used carefully and in accordance with the instructions enclosed, it should give you trouble free service over a long period of time. Please keep these instructions for future reference.

FEATURES

- Rechargeable Cordless Operation
- LED Power Indicator
- Titanium Steel Blades
- Fast 2hr Charging Time
- Approx. 90 Minute Usage Time
- Powerful Quiet Motor
- Accessories Include: Cleaning Brush and carry pouch
- Retractable Side Precision Trimmer
- Washable Head Design
- USB chargeable (USB cable only supplied)
- Requires 5v DC 1.0A USB supply minimum

SPECIFICATIONS

Operating Voltage: 5v DC

Battery: Li-ion 3.7v 600mAh

Requires: USB charger 5v DC 1000mA minimum

Ambient Operating Temperature: 5°C - 23°C

Note: Do not operate if ambient temperature is outside this range as this may damage the product. This product uses a battery that is not replaceable and requires a USB charger or charging port that provides 5v DC 1000mA or above. A charging adaptor is not supplied with this product.

IMPORTANT SAFEGUARDS AND PRECAUTIONS

SAVE THESE INSTRUCTIONS

- Read all instructions carefully
- For Household Use only. Not intended for commercial use.
- Only for use indoors.

DO NOT

Do not use outside or in damp conditions.

- Before plugging into adaptor, check whether supply line voltage and current rating are in compliance with the rated electrical parameters shown on the rating label.



DO NOT

Do not use for any purposes other than the appliances intended use.

- To prevent damage to the power cord, do not let it pass over sharp corners, edges or hot surfaces.
- If the power cord is damaged, do not use, it must be replaced by a special cord or assembly available from the manufacturer or its service agent.

DO NOT

Do not use if any part of this appliance is damaged in any way.

DO NOT

Do not use if the foils are damaged.

- Always unplug when not in use.
- To prevent against the risk of electric shock, do not submerge any part of this appliance in water, unless advised in this manual.

- This appliance can be used by children aged from 8 years and above and persons with reduced physical, sensory or mental capabilities or lack of experience and knowledge if they have been given supervision or instruction concerning use of the appliance in a safe way and understand the hazards involved.
- Children shall not play with this appliance.
- Cleaning and user maintenance shall not be made by children without supervision.

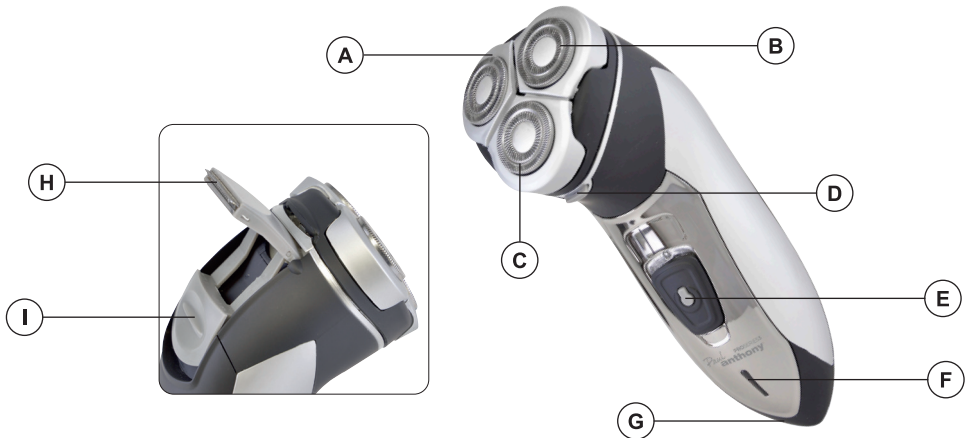


WARNING! Do not use this appliance near bathtubs, showers or other vessels containing water.

- When the appliance is used in a bathroom, unplug it after use since the proximity of water presents a hazard even when the appliance is switched off.
- Ensure that any power adaptor used does not get wet.
- Use, charge and store the appliances at a temperature between 5°C and 35°C.
- The rechargeable shaver battery contains substances that may pollute or be harmful to the environment. Always remove the battery before you discard the shaver. Dispose of the batteries at an official collection point for batteries or seek advice from your local authority.



LOCATION OF CONTROLS



A – Foil Heads

The foil heads protect the skin from being damaged by the titanium steel cutting blades.

B – Titanium Steel Cutting Blades

The blades spin rapidly to cut away at facial hair, giving a clean, smooth shave.

C – Head Cover

The head cover can be removed for detailed cleaning and maintenance.

D – Head Cover Removal Catch

Pressing this releases the Head Cover, allowing for it to be removed.

E – On/Off Switch

This operates the motor to begin shaving. Ensure that the On/Off Switch is set to 'off' before commencing charging, otherwise the unit will not charge.

F – Power & Charging Indicator LED

The LED will indicate when there is power to the unit and when the unit is charging. The LED does not indicate when charging has finished.

G – Charging Connection Point

Insert the USB charging cable into the bottom of the shaver and then insert the connection into a suitable USB charging device.

H – Trimmer

This feature can be used for precision trimming and detailed styling.

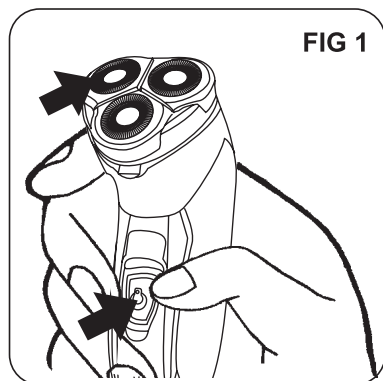
I – Trimmer Switch

Pushing the trimmer switch up will expose and activate the trimmer.

OPERATION

■ BEFORE USE

1. Ensure the Shaver is fully charged before use.
2. Check the foil is not damaged and dirty before use.
3. Avoid pressing hard or striking the foils with hard substances. Damaged foils can score your skin and create abrasions. (Fig. 1.)



■ CHARGING

1. Ensure the shaver is OFF before attempting to charge.
2. Plug the USB cable supplied into any suitable USB charging adaptor, socket or computer and then to the bottom of the shaver.
3. The charging indicator LED will light up to indicate that the shaver is charging.
4. Leave the shaver to charge. It will take approximately 2 hours to fully charge. A 10 minute charge would be sufficient for a single shave.

Note: Do not use the shaver whilst charging. This may cause the shaver to overheat.



Note: The shaver will not charge when it is switched On. Be sure to check that the 'On/Off switch' is set to 'Off' when commencing charging. If the LED Charging Indicator is not lit up, then the Unit will not charge.

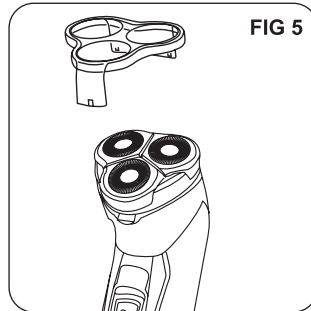
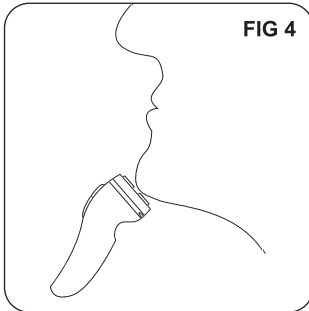
To Guarantee long life of the rechargeable battery, please observe the following guidelines:

I) Charge and store the Trimmer at temperatures between 5°C and 35°C

II) Do Not Allow the Trimmer to be connected for over 3 hours to the power supply. The LED Charging Indicator does not turn off or change colour to indicate when the Battery is fully charged.

■ SHAVING

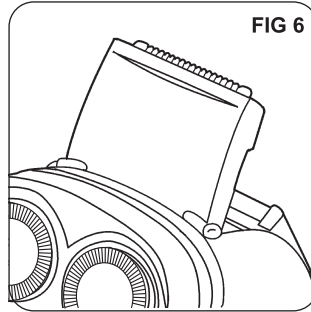
1. Ensure shaver is properly charged.
2. Turn the Shaver on.
3. Place the shaver foil close to the skin and move fast in both circular and straight motions. (Fig. 4.)
4. Care should be taken around moles and other skin blemishes.
5. Stretch the skin with your free hand to help straighten hair.
6. Hair on the neck can also be shaved this way.
7. After shaving, clean and place protective cap over the foils to prevent foil becoming damaged. (Fig. 5.)



■ TRIMMING

At the rear of the Shaver is a Trimming Head for Sideburns, Moustache and beards etc. (Fig. 6.)

1. Push switch up to engage the Trimmer.
2. Softly touch skin at right angles and slowly trim downwards.
3. After using, Push switch down to disengage Trimmer.



CLEANING AND CARE

■ MAINTENANCE

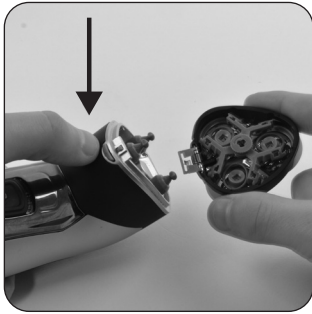
This appliance has been designed to operate over a long period of time with minimum of maintenance. Continuous satisfactory operation depends upon proper care and regular cleaning.

■ STORAGE

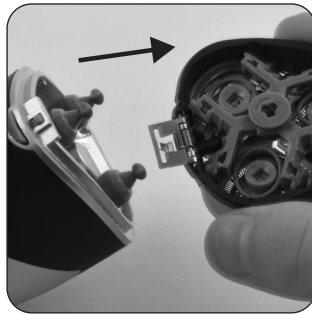
Always store this appliance and cord in a moisture-free area. Do not wrap the cord of the charging adaptor around the appliance. Do not store in temperatures above 35°C.

■ FOIL AND HEAD COVER DISASSEMBLY

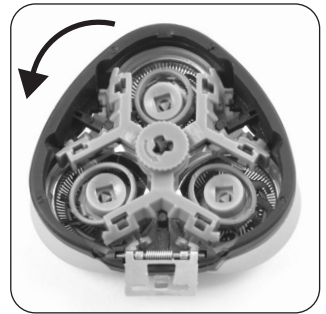
This Shaver comes with a removable 'Head Cover', allowing for a more thorough and detailed clean, or the ability to replace blunt and damaged 'Cutting Blades' or 'Foil Heads'.



1. Press the 'Head Removal Catch' to release the 'Head Cover'.



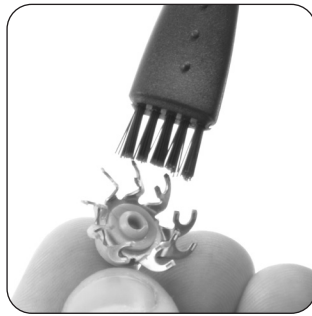
2. Detach the 'Head Cover' from the body of the unit by sliding it out of the hinge.



3. The 'Foil Heads' and 'Cutting Blades' are held in place by an 'Inner Frame'. Twist the 'Centre Lock' anti clockwise to release the 'Inner Frame'.



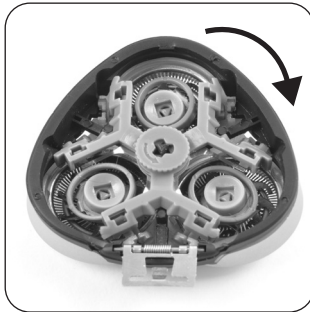
4. Pull the 'Inner Frame' away from the 'Head Cover' and remove all three 'Foil Heads' and 'Cutting Blades' by gently pushing them through the underside of the Head Cover with your fingers. The Cutting Blades and Foil Heads will separate very easily. Care should be taken not to damage these components.



5. Use the supplied Cleaning Brush to remove any hair debris from the components and then rinse under running water. Allow the components to dry naturally.



6. Re-insert the 'Foil Heads' into the underside of the 'Head Cover', ensuring that they are securely in place and insert the 'Cutting Blades' onto the 'Foil Heads'.



7. Carefully place the 'Inner Frame' onto the 'Cutting Blades' and press down firmly before twisting the 'Centre Lock' clockwise to physically lock it into place. Gently pull at the 'Inner Frame' to check that it is locked securely.



8. Slot the hinge back into the main body of the unit and clip the Head Cover back into place.

■ CLEANING

Press the 'Head Removal Catch' to release the 'Head Cover'. Remove any hair debris after each use using the brush provided.

Rinse the Head Cover Only under running water and dry thoroughly with a towel. For a more detailed 'Head Cover' clean, please refer to the disassembly information above.





WEEE/ENVIRONMENTAL PROTECTION



■ DISPOSAL OF ELECTRICAL AND ELECTRONIC EQUIPMENT

Do not dispose of this product with household waste. For the proper treatment, recovery and recycling please take this product to the appropriate waste collection point. If you are unsure where this may be, please contact your local authority. Improper disposal may be harmful to the environment.

■ REMOVING THE BATTERY

1. Remove the 2 screws located on the back of the handle.
2. Use a flat headed screwdriver to pry open the case at the seam. This will expose the batteries and the motor.
3. Carefully remove the batteries one at a time using a sharp blade, taking care not to short the batteries.

Note: *it is extremely important that you do not detach both wires at the same time using scissors, as this could short the battery, resulting in personal injury or damage to the battery.*



■ PRODUCT END OF LIFE AND BATTERY DISPOSAL

The rechargeable battery contains substances that may pollute the environment. At end of life for the product, always remove the battery and separate before you discard the product at your local waste collection point. Both battery and product should be disposed separately.

If you have trouble removing the battery, then you should contact a qualified technician or authorised service centre.

Contact your local authority for details and locations of official waste collection points. Do not dispose of batteries or product with normal household waste.



Paul
anthony CUSTOMER SERVICES

If you have any queries about this product then please contact Lloytron Customer Services online at:



www.lloytronhelpdesk.com

To find out more about Paul Anthony products, visit www.lloytron.com



Distributed in UK by Lloytron Ltd, Laltex House, Leigh, England WN7 3XH
Distributed in Europe by Laltex Ireland Ltd, Dublin 2, D02 AY86