

---

**OPERATING INSTRUCTIONS**

---

Pro Series 2

# Shaver with Trimmer



---

**MODEL: H5018**

---

If you have any queries about this product, there are three ways to contact our customer service department:

 **08454 81 8808**

 **customerservice@lloytron.com**

 **www.lloytronhelpdesk.com**

# thank you

Thank you for the purchase of this quality **PAUL ANTHONY** product. Used carefully and in accordance with the instructions enclosed, it should give you trouble free service over a long period of time. Please keep these instructions for future reference.

---

## FEATURES

---

- Dual action precision titanium blades
- Rechargeable cordless operation
- Retractable precision trimmer
- Comfortable, ergonomic grip
- LED Charging indicator
- Charge Time: 8hrs (approx.)
- Usage Time: 35min (approx.)
- Mains charging adaptor and cleaning brush included

---

## SPECIFICATIONS

---

Charging Voltage: 220-240v~50/60Hz

Power Consumption: 3w max.

Ambient Temperature: 5°C - 23°C

**Note:** Do not operate at temperatures above or below this range. Failure to comply can cause damage to the product.

---

## IMPORTANT SAFEGUARDS AND PRECAUTIONS

---

### SAVE THESE INSTRUCTIONS

- Read all instructions carefully
- For Household Use only. Not intended for commercial use.
- Only for use indoors.

**DO NOT**

Do not use outside or in damp conditions.

- Before plugging into mains socket, check whether supply line voltage and current rating are in compliance with the rated electrical parameters shown on the rating label.
- Keep away from hot surfaces, such as gas or electric hobs and ovens etc

**DO NOT**


Do not use for any purposes other than the appliances intended use.

- This product is not intended to be operated by means of an external timer or separate remote control system.



- To prevent damage to the power cord, do not let it pass over sharp corners, edges or hot surfaces.
- If the power cord is damaged, do not use. Check before each use!

If the supply cord is damaged, it must be replaced by a special cord or assembly available from the manufacturer or its service agent.

 **DO NOT**

Do not use if any part of this appliance is damaged in any way.

- Always unplug when not in use.
- To prevent against the risk of electric shock, do not submerge any part of this appliance in water, unless advised in this manual.

- This appliance can be used by children aged from 8 years and above and persons with reduced physical, sensory or mental capabilities or lack of experience and knowledge if they have been given supervision or instruction concerning use of the appliance in a safe way and understand the hazards involved.
- Children shall not play with this appliance.
- Cleaning and user maintenance shall not be made by children unless they are older than 8 and supervised.
- Keep the appliance and its cord out of reach of children less than 8 years.



**WARNING!** Do not use this appliance near bathtubs, showers or other vessels containing water.



## DO NOT

Do not use if any part of this appliance is damaged in any way.

## WARNING

- Keep the appliance dry
  - Do not use this appliance near bathtubs, showers or other vessels containing water.
  - Detach the hand-held part of from the supply cord before cleaning it with water
  - Make sure the power adaptor does not get wet
  - Only use the power adaptor and accessories supplied
- Use, charge and store the appliance at temperatures between 5°C and 23°C.
- The rechargeable battery contains substances that may pollute or be harmful to the environment. Always remove the battery before discarding the appliance. Dispose of the batteries at an official collection point for batteries or seek advice from your local government authority.

## LOCATION OF CONTROLS



### A – Foil Heads

The foil heads protect the skin from being damaged by the titanium cutting blades.

### B – Twin Titanium Floating Blades

The blades oscillate rapidly to cut away at facial hair, giving a clean, smooth shave.

### C – Head Cover

The head cover can be removed for detailed cleaning and maintenance.

### D – On/Off Switch

This operates the motor to begin shaving. Ensure that the On/Off Switch is set to 'off' before commencing charging; otherwise the unit will not charge.

### E – Charging Indicator LED

The LED will indicate when there is power to the unit and when the unit is charging. The LED does not indicate when charging is complete.

### F – Charging Connection Point

Insert the mains charging adaptor to commence charging. Ensure that the adaptor is plugged into a suitable 220-240v~50Hz mains socket.

### G – Trimmer

This feature can be used for precision trimming and detailed styling.

### H – Trimmer Switch

Pushing the trimmer switch up will expose the trimmer.



---

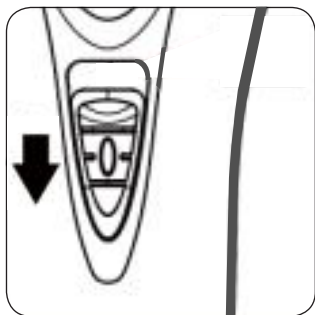
# OPERATION

---

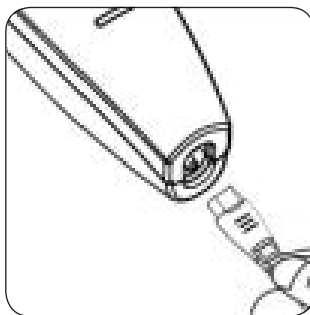
## ■ BEFORE USE

- 1 ENSURE** the Shaver is **FULLY CHARGED** before use.
- 2 CHECK** the foil is not damaged or dirty.
- 3 AVOID** pressing into or striking the foil with any hard substances. Damaged foils can score your skin and create abrasions.

## ■ CHARGING



- 1 ENSURE** the on/off switch is set to '**OFF**' before attempting to charge.



- 2 PLUG** the AC adaptor into a suitable 220-240v~50Hz mains supply and **CONNECT** it to the shaver at the charging connection point.
- 3** The charging indicator LED will **LIGHT UP** to indicate that the shaver is charging.
- 4 LEAVE** the shaver to charge. This will take approximately **8 HOURS**.

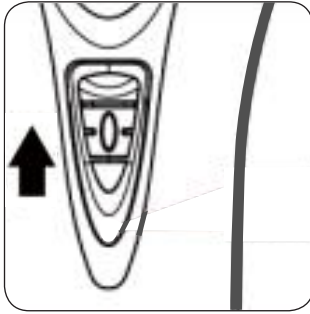
**Note:** the shaver will not charge when it is switched 'on'. Be sure to check that the on/off switch is set to 'off' when commencing charging. If the LED charging indicator is not lit up, the unit will not charge.

To guarantee long life of the rechargeable battery, please observe the following guidelines:

- I) Charge and store the shaver at temperatures between 5°C and 23°C.
- II) Do not allow the shaver to be connected to the charger for more than 20 hours. The LED charging indicator does not turn off or change colour to indicate when the battery is fully charged.



## ■ SHAVING

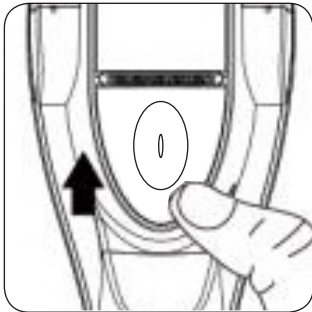


**1** PUSH the on/off switch to the 'ON' position to operate the shaver.

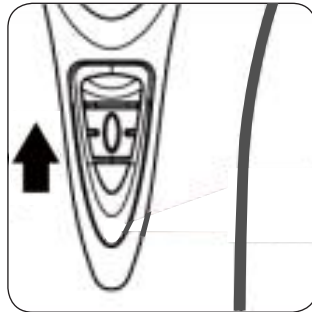


**2** PLACE the shaver foil close to the skin and **MOVE FAST** in **STRAIGHT** motions. **STRETCHING** the skin with your free hand will help to straighten the hair, making it easier to cut.

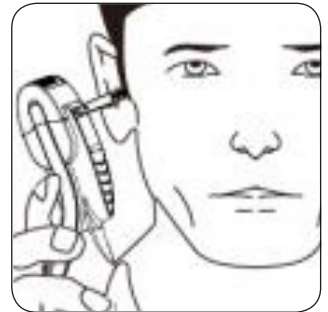
## ■ TRIMMING



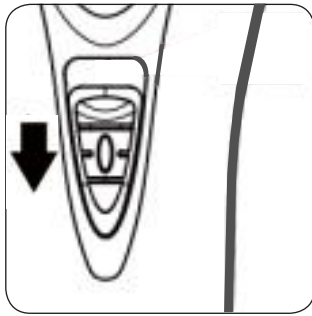
**1** PUSH the trimmer switch UP to **EXPOSE** the trimmer.



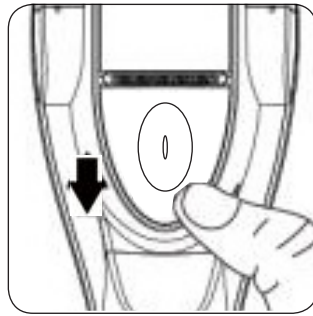
**2** PUSH the on/off switch to the 'ON' position to activate the trimmer blades.



**3** **SOFTLY TOUCH** the trimmer against the skin at a **RIGHT ANGLE** and slowly trim **DOWNWARDS**.



**4** **PUSH** the on/off switch to the 'OFF' position to **DISENGAGE** the trimmer blades.



**5** **PULL** the trimmer switch down to **CLOSE** the trimmer.



---

# CLEANING AND CARE

---

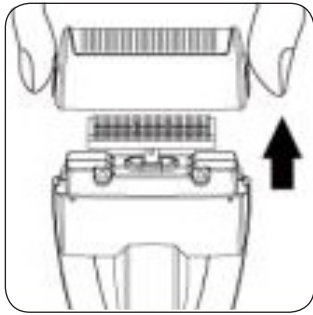
## ■ MAINTENANCE

This appliance has been designed to operate over a long period of time with minimum of maintenance. Continuous satisfactory operation depends upon proper care and regular cleaning.

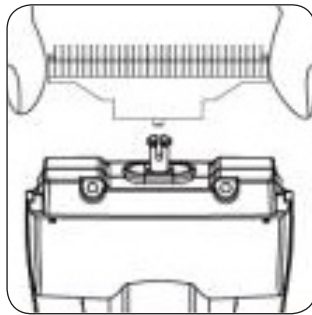
## ■ STORAGE

Always store this appliance and cord in a moisture-free area. Do not wrap the cord of the charging adaptor around the appliance. Do not store in temperatures below 5°C or above 23°C. Failure to comply could result in damage to the product.

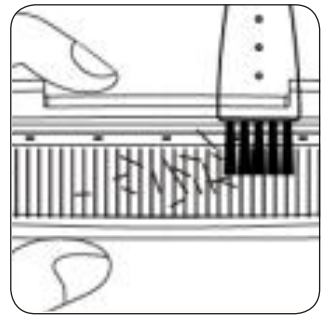
## ■ DISASSEMBLY FOR CLEANING



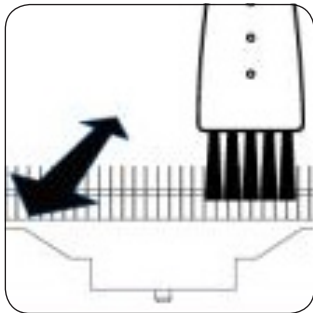
**1** GENTLY PULL the head cover **UP** and **AWAY** from the shaver.



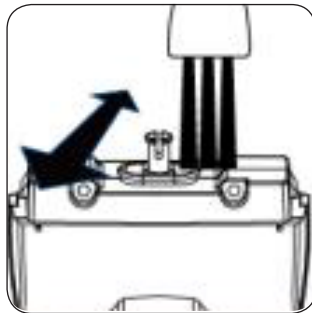
**2** REMOVE the blades from the shaver.



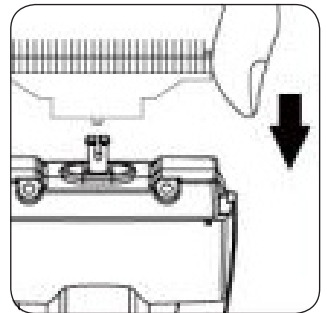
**3** USE the brush supplied to **REMOVE** any excess hairs or dirt from the foil head. **RINSE** and **DRY THOROUGHLY**.



**4** USE the brush supplied to **REMOVE** any excess hairs or dirt from the blades. **RINSE** and **DRY THOROUGHLY**.



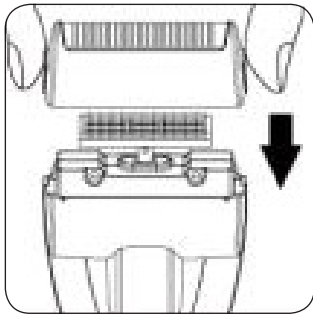
**5** USE the brush supplied to **BRUSH** the rest of the shaver. **DO NOT** allow the shaver unit come into contact with water.



**6** CLIP the blades back into place on the spindle.



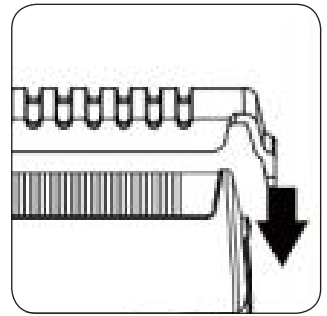




**7** CLIP the head cover back onto the shaver.



**8** PUSH the trimmer switch to EXPOSE the trimmer and GENTLY BRUSH away any excess hair or dirt. PULL the trimmer switch DOWNWARDS to close after cleaning.



**9** PLACE the plastic protective clip onto the head cover to protect the foils.

- Do Not touch the foils.
- Do not Submerge the unit in water or any other liquid.
- Ensure the main body and charging terminals do not get wet.

---

## REMOVING THE BATTERY

---

**1** REMOVE the head cover from the unit.

**2** REMOVE the 2 exposed screws beneath the blades and the screw located next to the charging connection point.

**3** PRY APART the casing to EXPOSE the battery.

**4** CAREFULLY CUT the 2 wires connected to the battery ONE AT A TIME using a sharp blade and REMOVE the battery.

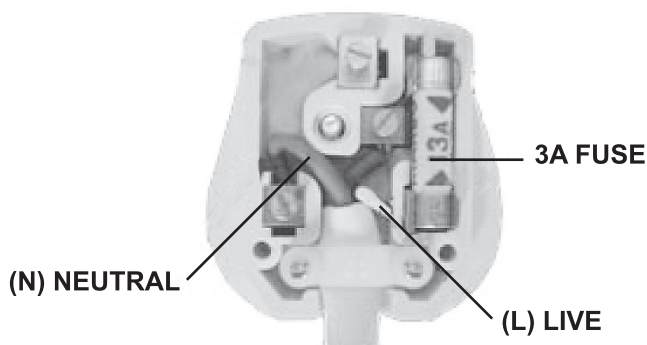
**Note:** it is extremely important that you do not detach both wires at the same time using scissors, as this could short the battery, resulting in personal injury or damage to the battery.



---

## UK PLUG REWIRING

---



Your appliance operates on 220-240V~50Hz AC Mains and comes fitted with a 3-pin BSI Approved plug, so that it is ready for use by simply plugging into AC Mains. Should you need to change or refit a plug, proceed as follows: -

### ■ IMPORTANT:

The wires in the mains lead are coloured in accordance with the following code:

BLUE:	NEUTRAL (N)
BROWN:	LIVE (L)

As the colours of the wires in the mains lead of this appliance may not correspond with the coloured markings identifying the terminals in your plug, proceed as follows:

The BLUE wire must be connected to the terminal which is marked with the letter "N" or coloured BLACK. The BROWN wire must be connected to the terminal which is marked with the letter "L" or coloured RED.

### ■ DO NOT CONNECT EITHER WIRE 'L' OR 'N' TO THE EARTH TERMINAL OF A 3-PIN PLUG

Always ensure that the Mains Cord is located into the Plug through the Cord Guard or Cable Clamp, and that the Cord Guard screws are tightened to clamp the Cord (outer sheath and inner coloured wires) in position in the Plug. Make sure the Plug top is also fitted securely.

If the power cord is damaged, it must be replaced by a special cord or assembly available from the manufacturer or it's service agent.

This appliance must be protected by a 3 Amp fuse in a 13 Amp type (BS1363) plug. Should you need to replace the fuse, use only an ASTA approved BS1362 fuse.

---

## WEEE/ENVIRONMENTAL PROTECTION

---



### ■ DISPOSAL OF ELECTRICAL AND ELECTRONIC EQUIPMENT

Do not dispose of this product with household waste. For the proper treatment, recovery and recycling please take this product to the appropriate waste collection point. If you are unsure where this may be, please contact your local authority. Improper disposal may be harmful to the environment.



### ■ PRODUCT END OF LIFE AND BATTERY DISPOSAL

The rechargeable battery contains substances that may pollute the environment. At end of life for the product, always remove the battery and separate before you discard the product at your local waste collection point. Both battery and product should be disposed separately.

If you have trouble removing the battery, then you should contact a qualified technician or authorised service centre.

Contact your local authority for details and locations of official waste collection points. Do not dispose of batteries or product with normal household waste.





---

*Paul* **anthony** CUSTOMER SERVICES

---

If you have any queries about this product, there are three ways to contact our customer service department:

 **08454 81 8808**

 **customerservice@lloytron.com**

 **www.lloytronhelpdesk.com**

To find more details on a wide range of Paul Anthony products please visit our website at [www.paulanthonystyling.co.uk](http://www.paulanthonystyling.co.uk)  
Lloytron plc, Laltex House, Leigh Commerce Park, Greenfold Way, Leigh, Lancashire, WN7 3XH. England, U.K