

---

OPERATING INSTRUCTIONS

---

Pro Series T4

# Cordless Beard & Stubble Trimmer



# thank you

Thank you for the purchase of this quality **PAUL ANTHONY** product. Used carefully and in accordance with the instructions enclosed, it should give you trouble free service over a long period of time. Please keep these instructions for future reference.

---

## FEATURES

---

- High Carbon Stainless Steel Blades
- 32mm Wide Precision Trimmer
- 40 Integrated, Adjustable Comb Guides (0.5mm increments)
- LCD DISPLAY
- Battery Power Left %
- 90min Long Life Run Time
- 2hrs Full Charge Time
- Hair Accessories
- USB-C Rechargeable Operation
- Ergonomic Design

---

## SPECIFICATIONS

---

Rated Input: DC 5V (1000mA min) requires USB A or USB C

Battery: Lithium Ion 14500 3.7V 600mAh 2.22Wh

Extinguishing Agent: AVD, CO<sub>2</sub>, Sand, Dry Powder

Cable Length: 1m approximately, USB-A to USB-C

USB Charger not supplied with this product.

See Paul Anthony model number H9801BK for recommended USB Charger.

Dimensions: 4 x 4 x 16cm (approx.)

Operating Temperature: +5°C to +25°C

---

## IMPORTANT SAFEGUARDS AND PRECAUTIONS

---

### SAVE THESE INSTRUCTIONS

- Read all instructions carefully
- For Household Use only. Not intended for commercial use.
- Only for use indoors.

#### DO NOT

Do not use outside or in damp conditions.

- Before plugging into mains socket, check whether supply line voltage and current rating are in compliance with the rated electrical parameters shown on the rating label.
- Keep away from hot surfaces, such as gas or electric hobs and ovens etc

**⊘ DO NOT**

Do not use for any purposes other than the appliances intended use.

- This product is not intended to be operated by means of an external timer or separate remote control system.
- To prevent damage to the power cord, do not let it pass over sharp corners, edges or hot surfaces.
- If the power cord is damaged, do not use. Check before each use!
- The supply cord can be replaced by an equivalent USB-C Cable.

**⊘ DO NOT**

Do not use if any part of this appliance is damaged in any way.

- Always unplug when not in use.
- To prevent against the risk of electric shock, do not submerge any part of this appliance in water, unless advised in this manual.

• This appliance can be used by children aged from 8 years and above and persons with reduced physical, sensory or mental capabilities or lack of experience and knowledge if they have been given supervision or instruction concerning use of the appliance in a safe way and understand the hazards involved.

- Children shall not play with this appliance.
- Cleaning and user maintenance shall not be made by children unless they are older than 8 and supervised.
- Keep the appliance and its cord out of reach of children less than 8 years.



**WARNING!** Do not use this appliance near bathtubs, showers or other vessels containing water.

**⊘ DO NOT**

Do not use if any part of this appliance is damaged in any way.

**⚠ WARNING**

- Keep the appliance dry.
- Do not use this appliance near bathtubs, showers or other vessels containing water.
- Detach the hand-held part of from the supply cord before cleaning it with water.
- Make sure the power adaptor does not get wet.

- Use, charge and store the appliance at temperatures between 5°C and 23°C.
- The rechargeable battery contains substances that may pollute or be harmful to the environment. Always remove the battery before discarding the appliance. Dispose of the batteries at an official collection point for batteries or seek advice from your local government authority.

---

## LOCATION OF CONTROLS

---




---

## OPERATION

---

### ■ CHARGING BATTERY STATUS INDICATIONS

The Trimmer should be fully charged before each use.

Place USB-C charging cable into the Trimmer and then into a 1000mAh USB Power Source.

**⊘ DO NOT**  
 DO NOT USE the Trimmer whilst charging.

The LCD Display shows the Power Left % in the battery as a full charge.

Charging the battery will usually take a maximum of 2hrs to fully charge and a RED plug will be shown to indicate it is charging. It will show “100%” when fully charged and the indicator will change to GREEN.

The percentage charge will be displayed as it continually charges.

Working time is approximately 60 minutes from a full charge.

## ■ SHAVING

**IMPORTANT:** Prior to first use, test the trimmer on a small area of your arm or leg. If you experience any sensitivity or allergic reaction, discontinue use immediately. Do not use this trimmer on sensitive or irritated skin.

1. Turn the Trimmer 'On' by switching the 'On/Off' switch to the 'On' position.
2. Hold the Trimmer at a 45 degree angle to the desired area and trim in the opposite direction of your hair growth.
3. Continue to trim until the hair is removed.

**Note:** For the cleanest hair removal, pull your skin taut with one hand while trimming.

### **WARNING**

Keep out of reach of children.



## ■ OPERATION

1. Unplug from USB Powersource.
2. Set Comb to correct depth.
3. Press ON/OFF button to turn on the Trimmer.
4. Press ON/OFF button to turn OFF.

## ■ USING ADJUSTABLE BLADE GUARD

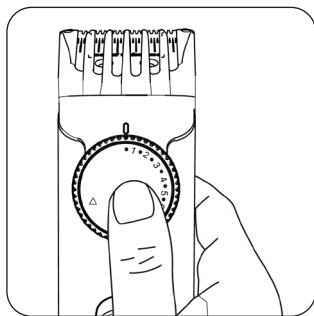
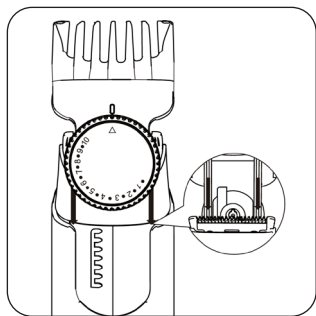
The Trimmer is supplied with two adjustable cutting guide combs.

Comb 1 is 0.5mm to 10mm

Comb 2 is 10.5mm to 20mm

1. Select correct comb needed.
2. Align the Triangle Pointer on the adjustment wheel with the Indicator on the Trimmer head.
3. Slide down the rails of the Trimmer until it snaps into place.
4. Rotate the wheel to the correct size required. It will auto lock in place.
5. NOTE: Each dot before the number is 0.5mm.
6. Now the Trimmer is ready to be used.

To remove Comb, Align Triangle Pointer with Indicator shown and lift away.



**Note:** It is advisable to start trimming using a longer hair length setting before decreasing the length, in order to achieve your desired beard/stubble length.

- |             |  |
|-------------|--|
| 0.5mm       | Suitable for Stubble and detailed Trimming |
| 2mm – 5mm   | For trimming short beards                  |
| 6mm to 20mm | For tidying long beards                    |

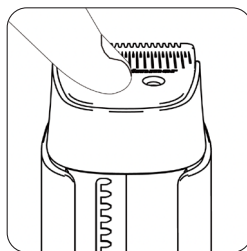
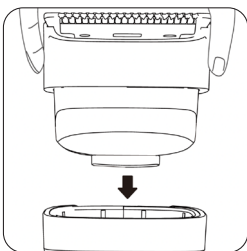
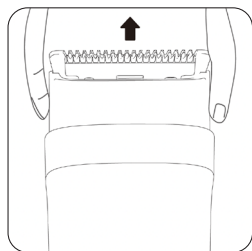
---

## CLEANING AND CARE

---

Do not clean or perform any maintenance whilst the unit is being charged.

1. Remove the adjustable comb guide by aligning the Triangle pointer to the indicator mark on the top of the Trimmer head. The Comb can then be lifted away.
2. Pull head away from main body unit. Note: This is attached magnetically.
3. Using supplied cleaning brush remove any debris from inside the head and around the cutting teeth.
4. Rinse the head ONLY under a running tap and then allow to air dry.
5. After cleaning, add oil to the teeth to keep the clipper in perfect condition.



---

## WEEE/ENVIRONMENTAL PROTECTION

---



### ■ DISPOSAL OF ELECTRICAL AND ELECTRONIC EQUIPMENT

Do not dispose of this product with household waste. For the proper treatment, recovery and recycling please take this product to the appropriate waste collection point. If you are unsure where this may be, please contact your local authority. Improper disposal may be harmful to the environment.



### ■ PRODUCT END OF LIFE AND BATTERY DISPOSAL

The rechargeable battery contains substances that may pollute the environment. At end of life for the product, always remove the battery and separate before you discard the product at your local waste collection point. Both battery and product should be disposed separately.

If you have trouble removing the battery, then you should contact a qualified technician or authorised service centre.

Contact your local authority for details and locations of official waste collection points. Do not dispose of batteries or product with normal household waste.

### ■ REMOVING THE BATTERY

The battery cannot be replaced. Lithium-ion batteries can explode, catch fire and/or cause burns if disassembled, damaged or exposed to water or high temperatures. To remove the battery, open the casing of the clipper, slide out the battery and carefully cut either wire on each terminal.

**Note:** *it is extremely important that you do not detach both wires at the same time using scissors, as this could short the battery, resulting in personal injury or damage to the battery.*

---

*Paul*  
**anthony** CUSTOMER SERVICES

---

If you have any queries about this product then please contact Lloytron Customer Services online at:



[www.lloytronhelpdesk.com](http://www.lloytronhelpdesk.com)

To find out more about Paul Anthony products, visit [www.lloytron.com](http://www.lloytron.com)



Distributed in UK by Lloytron Ltd, Laltex House, Leigh, England. WN7 3XH  
Distributed in Europe by Laltex Ireland Ltd, Dublin 2, Eire. D02 AY86