
OPERATING INSTRUCTIONS

LED Flood Lights



BASE MODEL & PIR MODEL

If you have any queries about this product, there are three ways to contact our customer service department:

 **08454 81 8808**

 **customerservice@lloytron.com**

 **www.lloytronhelpdesk.com**

To find more details on a wide range of Lloytron products please visit our website at www.lloytron.com
Lloytron plc, Laltex House, Leigh Commerce Park, Greenfold Way, Leigh, Lancashire, WN7 3XH. England, U.K

thank you

Thank you for the purchase of this quality **LLOYTRON** product. Used carefully and in accordance with the instructions enclosed, it should give you trouble free service over a long period of time. Please keep these instructions for future reference.

FEATURES

- Various models form 10w to 200w
- PIR Sensor (optional)
- Wall mountable
- Long life LED technology
- Weatherproof for outdoor use
- Colour temperature: 6000K
- 1m length 3 core 0.75mm² silicone rubber cable
- Ingress Rating: IP66 base models, IP44 PIR models



IMPORTANT SAFEGUARDS AND PRECAUTIONS

SAVE THESE INSTRUCTIONS

- Read all instructions carefully and keep for future reference.
- For Household Use only.
- For outdoor use only.
- Before wiring, check whether supply line voltage and current rating are in compliance with the rated electrical parameters shown on the rating label.
- This Lamp is not intended to be operated by means of an external timer or separate remote control system.
- To prevent against the risk of electric shock, do not submerge any part of the lamp in water.

DO NOT

Do not use for any purposes other than intended use.

DO NOT

Do not use this lamp if damaged.

- This lamp is not intended for use by persons with reduced physical, sensory or mental capabilities, or lack of experience and knowledge, unless they have been given supervision or instruction concerning use of the appliance, by a person responsible for their safety.
- Children should be supervised to ensure they do not play with this Lamp.
- Cleaning and user maintenance shall not be made by children.



MINIMUM DISTANCES - LAMP TO OTHER SURFACES

The minimum distance from any object when illuminated should be as stated in diagram below:

KEEP THE MINIMUM DISTANCE FROM ANY OBJECT - WHEN ILLUMINATED - TO AT LEAST



- This product contains glass, care must be taken when assembling, fitting or handling to prevent personal injury or damage to the product.
- This light fitting must be installed by a competent person in accordance with the current building and IEE wiring regulations.
- If in any doubt, consult a qualified electrician.
- This product is designed and constructed according to the principles of the appropriate British Standard and is intended for normal domestic service. Using this fitting in any other environments, - for example where there is prolonged periods of use or higher than normal ambient temperatures, may result in a shortened working life.
- Switch off the mains before commencing installation and remove the appropriate circuit fuse or lock off MCB.
- This product is suitable for installation on surfaces with normal flammability e.g. wood, plasterboard and masonry. It is not suitable for use on highly flammable surfaces (e.g. polystyrene, textiles).
- Before making fixing hole(s), check that there are no obstructions hidden beneath the mounting surface such as pipes or cables.
- Make sure that the fixings are strong enough to support the considerable weight of the fitting and hold it rigidly.
- The lamp must be positioned so that there is at least 0.5m (500mm) between the bulb and any illuminated surface.
- Floodlights should be positioned well away from flammable materials.

DO NOT

Do not attach to surfaces which are damp, freshly painted or otherwise electrically conductive (e.g. metallic surfaces).

- This product is designed for permanent connection to fixed wiring: this must be a suitable circuit (protected with the appropriate MCB or fuse).
- When making connections ensure that the terminals are tightened securely and that no strands of wire protrude. Check that the terminals are tightened onto the bared conductors and not onto any insulation.
- This product must be connected to an earth termination.

IMPORTANT - if the external flexible cable of this lamp is damaged it shall be exclusively replaced by a qualified engineer.

- You are advised at every stage of your installation to double-check any electrical connections you have made. After you have completed your installation there are electrical tests that should be carried out, these tests are specified in the current IEE wiring and building regulations. If in doubt, consult a qualified electrician.

DO NOT

Do not carry or lift the flood light by the mains supply cable.



HOW TO USE

1 CHOOSE the location for your new light fitting giving considerations to the points listed opposite.

2 ISOLATE mains.

3 MARK fixing points by using the stirrup fixing holes and **DRILL** two fixing holes, according to your chosen fixing method.

4 TERMINATE loose ends of wire to an appropriate IP rated junction box or similar, ensuring the Live, Earth and Neutral polarities are observed.

5 RESTORE power and test the lamp.

6 ADJUST floodlight head towards the area to be illuminated and **LOCK OFF** using two clamping bolts.

- Ensure the light is connected to an appropriate electrical on/off switch.
- Ensure the insulation on all cables and the product itself is safe before connecting to the mains power supply.
- Ensure that cables are always protected against short circuit and overload.
- Regularly inspect power supply, leads, plugs and all electrical connections for wear and damage, especially power connections, to ensure that none are loose.

⊘ DO NOT

Do not use worn or damaged leads, plugs or connections. Immediately replace or have repaired by a qualified Electrician.

■ JUNCTION BOX WIRING

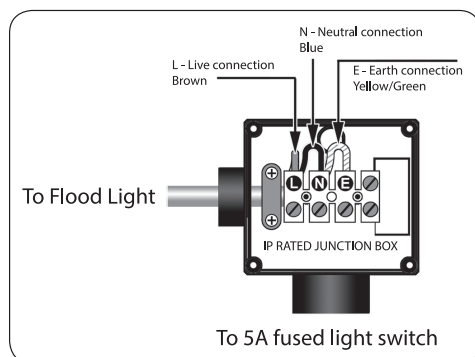
Ensure the unit is correctly earthed and wired according to the diagram below.

1 CONNECT the green/yellow earth wire to the **EARTH** terminal 'E'.

2 CONNECT the brown live wire to **LIVE** terminal 'L'.

3 CONNECT the blue neutral wire to the **NEUTRAL** terminal 'N'.

After wiring, check there are no bare wires, that all wires have been correctly connected and that the wire restraint is tight.



■ LAMP REPLACEMENT

This lamp has a sealed LED lamp and is maintenance free, no lamp replacement is required. At end of life, the unit must be disposed.

TOOLS REQUIRED

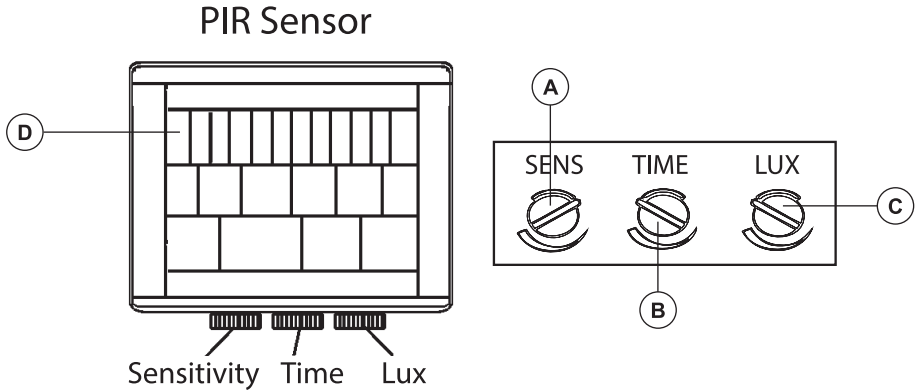
- Electric / hand-held drill
- No.8 masonry drill bit
- Electricians screwdriver
- Large screwdriver
- Wire cutters

This product is suitable for wall mounting and must be connected to an IP rated junction box or similar.



LOCATION OF CONTROLS

■ PIR SENSOR MODELS (OPTIONAL)



A – Sensitivity Control

This controls how sensitive the PIR sensor is to heat sources and movement. Adjusting the sensitivity can help compensate for changes in outside air temperature during winter or summer. To keep nuisance tripping to a minimum, set the control to the middle position when the air temperature is between 15°-20°C

B – Time Control

This adjusts the length of time that the LED will remain switched on once the sensor has been triggered. This can be adjusted from 15 seconds to 5 minute settings. The ideal setting is usually 2-3 minutes.

C – Lux control

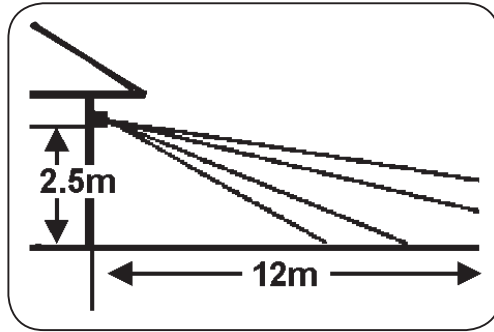
This adjusts the level of darkness needed before the PIR sensor will begin to operate the Floodlight.

D – PIR Sensor

Senses heat sources moving within the detection range, sending a signal to turn the LED Floodlight 'On' when movement is detected.

■ USING THE PIR SENSOR

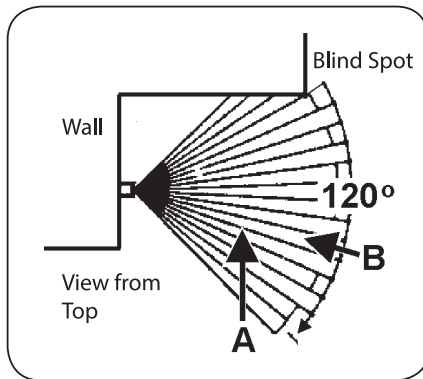
1 MOUNT the Floodlight with the sensor positioned **HORIZONTALLY** to ensure the detection area is **MAXIMISED** by being even from side to side. **AVOID** pointing the PIR sensor directly at objects that may interfere with its operation e.g. trees/shrubs, hot ventilator ducts, air conditioners, street lighting, traffic etc.



Note: Ensure that the PIR sensor is not set vertically or upside down. The PIR sensor must be positioned so that the controls are underneath the sensor.

Note: Installation under eaves is acceptable but radiated and convection heat from the fitting must be taken into account.

2 Prior to mounting, keep in mind that the PIR sensor is **MORE SENSITIVE** to heat sources moving **ACROSS** its coverage (A) and **LESS SENSITIVE** to heat sources moving **DIRECTLY TOWARDS** (B) the PIR sensor.



Note: The PIR sensor is not waterproof, only weatherproof. This means that it will allow for moisture and condensation to penetrate the window. This will dry naturally in warmer weather.

⊘ DO NOT

Do not allow sunlight to shine directly onto the front of the PIR sensor as it can affect the trigger response of the sensor.



■ FIRST TIME USE

Day Time Testing

- 1** **TURN** the Time Control to 'MIN' and the Lux Control to 'MAX'.
- 2** **SWITCH ON** the power to the Floodlight.
- 3** The Floodlight will turn 'ON' for approx. **15 SECONDS** before switching 'OFF'.

Night Time Testing

- 1** **TURN** the Time Control to 'MIN' and the Lux Control to 'MIN'.
- 2** **SWITCH ON** the power to the Floodlight.
- 3** The Floodlight will turn 'ON' for approx. **15 SECONDS** before switching 'OFF'.

■ WHAT TO DO NEXT

Whether testing in the day or during the night, once the Floodlight has switched 'On', follow the next steps to aid you in optimising the most suitable PIR settings for your Floodlight.

- 1** **CHECK** the operation of the sensor and the detection field by **WALKING** in **FRONT** of the PIR sensor so that the Floodlight switches 'ON'.
- 2** Once the Floodlight switches 'ON', **MOVE** to a new position and **STAND STILL** until the Floodlight switches 'OFF' (15secs approx.). **MOVE AGAIN** until the Floodlight switches 'ON'.
- 3** **REPEAT** step 2 and **ADJUST** the angle of the sensor until the optimum detection field is achieved.
- 4** **USE** the **TIME**, **LUX** and **SENSITIVITY** Controls to **ADJUST** the PIR Sensor to your **DESIRED** settings.



SPECIFICATIONS

BASE MODEL	L8511D	L8512D	L8513D	L8515D	L8516D	L8517D	L8518D
Nominal Power Watts	10W	20W	30W	50W	100W	150W	200W
Nominal Luminous Flux Lumens	800 lm	1600 lm	2400 lm	4000 lm	8000 lm	12000 lm	16000 lm
Energy Rating	A+	A+	A+	A+	A+	A+	A+
Colour Temp K	6000	6000	6000	6000	6000	6000	6000
Hg Mercury Content	0	0	0	0	0	0	0
Warm up Time to 60%	>1	>1	>1	>1	>1	>1	>1
Angle for Directional Lamps	120	120	120	120	120	120	120
CRI Ra	>73	>73	>73	>73	>73	>73	>73
Dimmable	No	No	No	No	No	No	No
Nominal Life Time Hrs	>30000 Hrs	>30000 Hrs	>30000 Hrs	>30000 Hrs	>30000 Hrs	>30000 Hrs	>30000 Hrs
Number of Switching Cycles before failure	>15000	>15000	>15000	>15000	>15000	>15000	>15000
Ingress Rating	IP66	IP66	IP66	IP66	IP66	IP66	IP66
PIR MODEL (Details as base model plus below)	L8511DP	L8512DP	L8513DP	L8515DP	L8516DP	L8517DP	
Ingress Rating	IP44	IP44	IP44	IP44	IP44	IP44	
PIR Sensor	Yes	Yes	Yes	Yes	Yes	Yes	
PIR - Detection Range	12M	12M	12M	12M	12M	12M	
PIR - Detection Angle	180	180	180	180	180	180	
PIR - Time on adjustment ie 15 sec to 15 minute	5 sec to 6 minute	5 sec to 6 minute	5 sec to 6 minute	5 sec to 6 minute	5 sec to 6 minute	5 sec to 6 minute	
PIR - Lux sensor range	10-1000 Lux	10-1000 Lux	10-1000 Lux	10-1000 Lux	10-1000 Lux	10-1000 Lux	



CLEANING AND CARE

This lamp has been designed to operate over a long period of time with a minimum of maintenance. Continuous satisfactory operation depends upon proper care and regular cleaning.

Clean this light fitting only with a soft dry cloth.

 **DO NOT**

Do not clean when the lamp is illuminated.

 **DO NOT**

Do not use any chemical or abrasive cleaners.



WEEE/ENVIROMENTAL PROTECTION



■ DISPOSAL OF ELECTRICAL AND ELECTRONIC EQUIPMENT

Do not dispose of this product with household waste. For the proper treatment, recovery and recycling please take this product to the appropriate waste collection point. If you are unsure where this may be, please contact your local authority. Improper disposal may be harmful to the environment.





LLOYTRON® CUSTOMER SERVICES

If you have any queries about this product, there are three ways to contact our customer service department:

 **08454 81 8808**

 **customerservice@lloytron.com**

 **www.lloytronhelpdesk.com**

To find more details on a wide range of Lloytron products please visit our website at **www.lloytron.com**
Lloytron plc, Laltex House, Leigh Commerce Park, Greenfold Way, Leigh, Lancashire, WN7 3XH. England, U.K