

---

**OPERATING INSTRUCTIONS**

---

# Full Motion TV Wall Mount

23 - 46"  
& 37 - 90"  
Flat Screen  
Televisions



---

**MODEL: T310MBK/SBK**

---

If you have any queries about this product, there are three ways to contact our customer service department:

 **08454 81 8808**

 **customerservice@lloytron.com**

 **www.lloytronhelpdesk.com**

# thank you

Thank you for the purchase of this quality **LLOYTRON** product. Used carefully and in accordance with the instructions enclosed, it should give you trouble free service over a long period of time. Please keep these instructions for future reference.

---

## FEATURES

---

- Fits most 23-46" (SBK) / 37-90" (MBK) LCD, LED & plasma televisions
- VESA 75, 100 & 200 compatible
- Locking system for added security
- Solid, heavy-gauge cold steel construction
- Complete mounting hardware included
- Simple assembly – all fixings included
- Integral spirit level
- Swivels up to 110° and extends up to 65cm.
- Tilt: +/- 15°
- Maximum Loading Weight: 45kg (SBK) / 80kg (MBK)



---

# IMPORTANT SAFEGUARDS AND PRECAUTIONS

---

## SAVE THESE INSTRUCTIONS

- Read all instructions carefully

### CAUTION

This TV mount must be securely attached to a vertical wall. If the mount is not properly installed it may fall, resulting in possible injury and/or damage.

- Install and operate this device with care.
- Please read these instructions before installation
- Follow all instructions with care
- Use proper safety equipment and correct tools during installation
- Call a qualified technician if you do not understand these instructions or you are unsure about the nature of your wall.

### DO NOT

Do not use this product for any purpose or in any configuration other than that specified within this manual.

- Lloytron Plc hereby disclaim any and all liability for injury or damage arising from incorrect assembly, incorrect mounting or incorrect use of this product.

### DO NOT

Do not use damaged or defective parts.



---

## TOOLS REQUIRED

---

- 3/16" Drill Bit
- Cross-Head Screwdriver
- Wrench or Socket Set
- 1/2" Masonry Bit
- Stud Finder

**Note:** *The mounting components and hardware supplied in this package are not designed for installations to walls with steel studs or cinder block walls. If the hardware you need for your installation is not included, please consult your local hardware store for the most appropriate and correct mounting hardware for the applications.*




---

## BEFORE FIRST USE

---

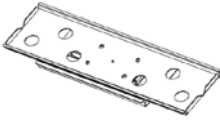
- 1** Carefully **OPEN** the box and **REMOVE** the contents.
- 2** **LAY** the contents out onto a **PROTECTIVE** surface such as flat packed cardboard.
- 3** Check the contents against the 'Fixtures Supplied' section, ensuring that all fixtures and fittings are supplied undamaged.

 **DO NOT**

Do not use damaged or defective parts.



# FIXTURES SUPPLIED



**A**- Wall Plate (x1)



**B**- Left Monitor Bracket (x1)



**C**- Right Monitor Bracket (x1)



**D**- Allen Key (x1)



**E**- M4 x 12mm Bolt (x4)



**F**- M5 x 12mm Bolt (x4)



**G**- M6 x 12mm Bolt (x4)



**H**- M8 x 16mm Bolt (x4)



**I**- M4 x 30mm Bolt (x4)



**J**- M5 x 30mm Bolt (x4)



**K**- M6 x 35mm Bolt (x4)



**L**- M8 x 40mm Bolt (x4)



**M**- M4 Lock Washer (x4)



**N**- M5 Lock Washer (x4)



**O**- M6 Lock Washer (x4)



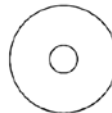
**P**- M8 Lock Washer (x4)



**Q**- M4/M5 Space (x4)



**R**- M6/M8 Space (x4)



**S**- M4/M5 Washer (x4)



**T**- M6/M8 Washer (x4)



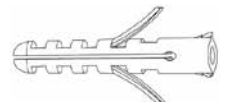
**U**- Safety Bolt (x2)



**V**- Lag Bolt (x6)



**W**- Lag Bolt Washer (x6)



**X**- Concrete Anchor (x6)



# INSTALLATION

## ■ MOUNTING THE MONITOR BRACKETS TO A TV WITH A FLAT BACK

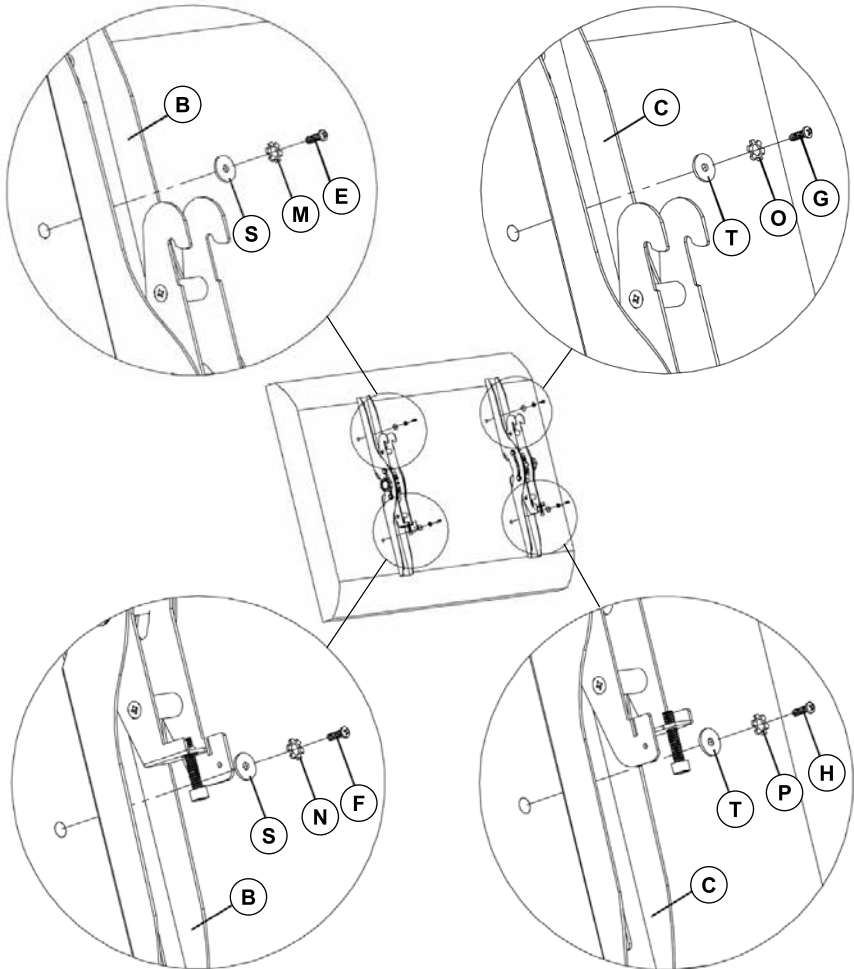
**1 DETERMINE** the diameter of the bolt (**E, F, G, H**) that your TV requires.

**2** Once you have determined which bolt is required, **USE** the relevant **DIAGRAM** in **FIG.1** below.

**3 THREAD** the bolt into the TV, **ENSURING** the correct Lock washers (**M, N, O, P**) and washers (**S, L**) are being used.

**4 ENSURE** that the monitor brackets (**B, C**) are **VERTICALLY** aligned and **LEVEL** with each other.

■ FIG 1



## ■ MOUNTING THE MONITOR BRACKETS TO A TV WITH A CURVED BACK

**1 DETERMINE** the diameter of the bolt (E, F, G, H) that your TV requires.

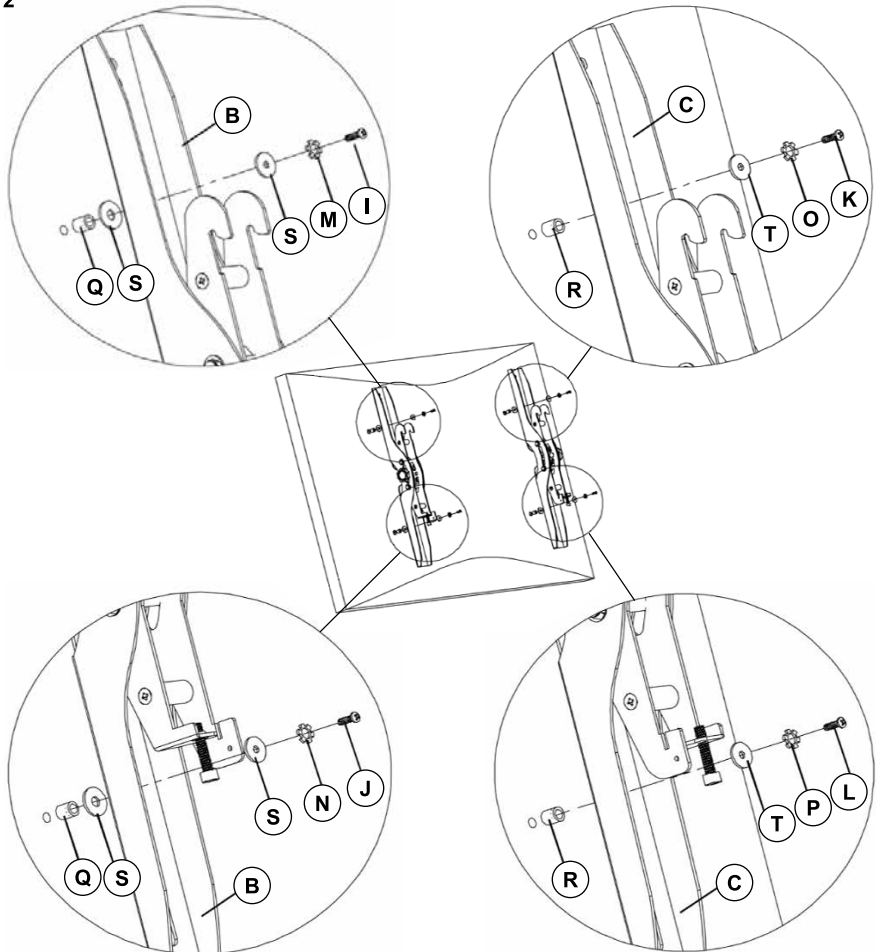
**2** Once you have determined which bolt is required, **USE** the relevant **DIAGRAM** in **FIG.2** below.

**3 THREAD** the bolt into the TV, **ENSURING** the correct Lock washers (M, N, O, P), washers (S, L) and spacers (Q, R) are being used.

**4 ENSURE** that the monitor brackets (B, C) are **VERTICALLY** aligned and **LEVEL** with each other.

**Note:** for the M4 or M5 diameter bolts, you will need to use an extra M4/M5 washer between the monitor bracket and the spacer when mounting onto a TV with a curved back.

■ FIG 2





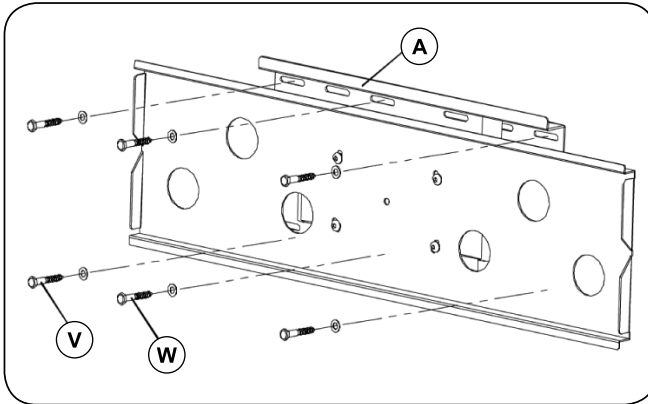
# INSTALLING THE WALL PLATE TO THE WALL

Before installation, it is important to identify what type of material constructs your wall, as this will affect the installation procedure.

## ■ BRICK, SOLID CONCRETE AND CONCRETE BLOCK MOUNTING

- 1 USE** the Wall Plate (A) as a template to **MARK** 4 points on the wall along the row of slots.
- 2 ENSURE** the 4 points are spread **EVENLY** across the Wall Plate in order to distribute the weight evenly.
- 3 USING** the built in spirit level, **ENSURE** that the markings are **LEVEL**.
- 4 PRE-DRILL** the 4 markings with a 1/2" masonry bit to at least 2 1/2" in depth.
- 5 INSERT** a concrete anchor (X) into each hole.
- 6 ENSURE** that the concrete anchor is completely **FLUSH** with the concrete surface, even if there is a layer of drywall or other material in front.
- 7 ATTACH** the wall plate to the wall using 4pcs lag bolts (V) and 4pcs lag bolt washers (W), as shown in **FIG 3**.

■ FIG 3



■ **WOOD STUD MOUNTING**

**1** The wall plate (A) must be mounted to 2 wood studs at least **16"** APART.

**2 USE** a stud finder to **LOCATE** 2 adjacent studs.

**3 VERIFY** where the studs are by **TAPPING** an awl or thin nail into the wall, as shown in **FIG.4**.

**4 PRE-DRILL** a  $2\frac{1}{2}$ " deep hole at the desired height in each stud using a  $\frac{3}{16}$ " drill bit.

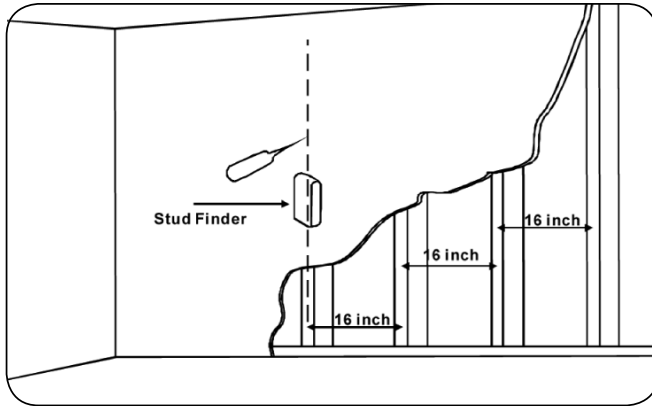
**5 MAKE SURE** the holes are **LEVEL** with each other and positioned in the **CENTRE** area of the studs.

**6 USE** the wall plate as a template to **MARK** the position of the second hole in each stud.

**7 DRILL**  $2\frac{1}{2}$ " deep holes using the  $\frac{3}{16}$ " drill bit in the marked positions.

**8 ATTACH** the wall plate to the wall using 4pcs lag bolts (V) and 4pcs lag bolt washers (W).

■ **FIG 4**



# ATTACHING THE MONITOR TO THE WALL PLATE

## **⚠ WARNING**

Some TV's may require 2 people to lift! Lloytron Plc is not responsible for personal injury or damage to your television due to incorrect installation or failure to comply with the instructions within this manual.

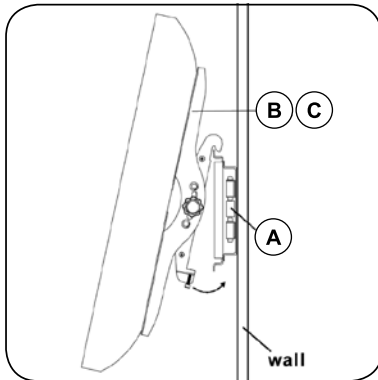
**1** HOOK the monitor bracket (B, C) over the TOP of the wall plate (A), as shown in FIG.5.

**3** USE the Allen Key (D) to TIGHTEN the bolts.

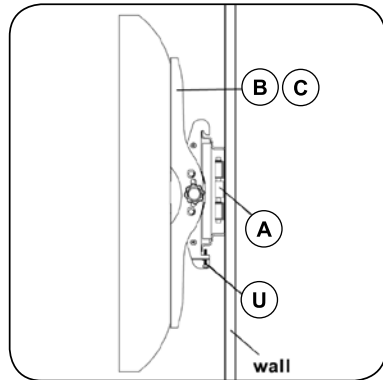
**2** INSERT the safety bolts (U) into the threaded holes in the bottom of the monitor brackets.

**4** The monitor bracket will sit behind the bottom tab on the wall plate, as shown in FIG.6.

■ FIG 5



■ FIG 6





---

## LLOYTRON® CUSTOMER SERVICES

---

If you have any queries about this product, there are three ways to contact our customer service department:

 **08454 81 8808**

 **customerservice@lloytron.com**

 **www.lloytronhelpdesk.com**

To find more details on a wide range of Lloytron products please visit our website at **www.lloytron.com**  
Lloytron plc, Laltex House, Leigh Commerce Park, Greenfold Way, Leigh, Lancashire, WN7 3XH. England, U.K